



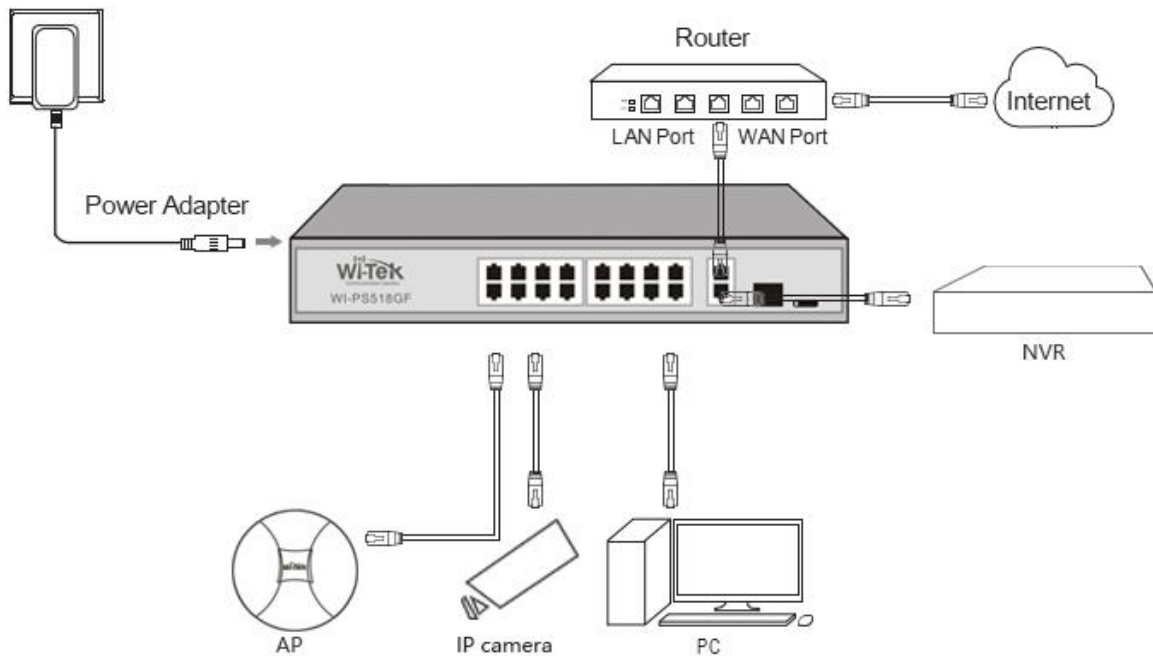
WI-PS308GH
8-Port 48V Gigabit Ports PoE Switch
with 8-Port PoE
Data sheet

Highlights

- 8 Gigabit Ports PoE Switch with 8-Port PoE ports
- Supports PoE power up to 30W for each port
- Supports PoE IEEE 802.3af/at compliant PDs
- External power adapter supply 65W output power
- LED indicators for LINK/ACT, Power, PoE Status, 100/1000Mbps
- 4K entry MAC address table with auto-learning and auto-aging



Typical Applications





Description

What This Product Does

8-Port Gigabit Switch with 8-Port PoE provides the seamless network connection. It integrates 1000Mbps Gigabit Ethernet and 10/100Mbps Fast Ethernet network capabilities.

How This Product Works

8 Auto-Negotiation RJ45 ports (port-1 to port-8) of the switch support Power over Ethernet (PoE) function. These PoE ports can automatically detect and supply power

with those IEEE 802.3af/at compliant Powered Devices (PDs). In this situation, the electrical power is transmitted along with data in one single cable allowing you to expand your network where there are no power lines or outlets, where you wish to fix devices such as APs, IP Cameras or IP Phones, etc.

Easy To Use

WI-PS308GH is easy to install and use. It requires no configuration and installation. With outstanding performance and quality, the WI-PS308GH 8-Port Gigabit Desktop Switch with 8-Port PoE is a great selection for expanding your home or office network.

Specification

HARDWARE FEATURES	
Interface	8 1000M RJ45 POE Ports
Network Media	10Base-T: Pair 2 Category 3(cat 3) and above UTP/STP(≤100m) 100Base-TX: Pair 2 Category 5(cat 5) and above UTP/STP(≤100m) 1000BASE-TX: 6 Category and above UTP(≤150m)
Fan Quantity	Fanless
Power Consumption	65W (max. with PoE device connected)
External Power Supply	AC 110~220V 50/60HZ
PoE Ports (RJ45)	Standard: 802.3 af/at compliant PoE Ports: Port1- Port8 Power Supply: 65W
Exchange Capacity	16G
Mac Address Table	4K
Packet Forwarding Rate	14.9Mpps
Buffer	1.5Mbps
Jumbo Frame	10240Bytes

Dimensions	Product Size: 225mm*105mm*32mm (L*W*H)
-------------------	--

SOFTWARE FEATURES	
Transmission Method	Store-And-Forward
Advanced Functions	Priority Function Mac Address Auto-Learning And Auto-Aging Store and forward IEEE 802.3x flow control for Full-duplex Mode Backpressure for Half-duplex Mode

OTHERS	
Certification	CE, FCC, RoHS
Package Contents	POE Switch Electric Line Guide Book/Warranty Card 2L Shape Mount+4 Shim
Environment	Working Temperature: -10°C~55°C Storage temperature : -40°C~70°C Working Humidity : 10%~90% RH non-condensing

	Storage Hum idity: 5%~90% RH non- condensing
--	--



WIRELESS-TEK TECHNOLOGY LIMITED
www.wireless-tek.com
Email: sales@wireless-tek.com
Technical Support: tech@wireless-tek.com