

Ceiling Speaker Tile Reinforcement

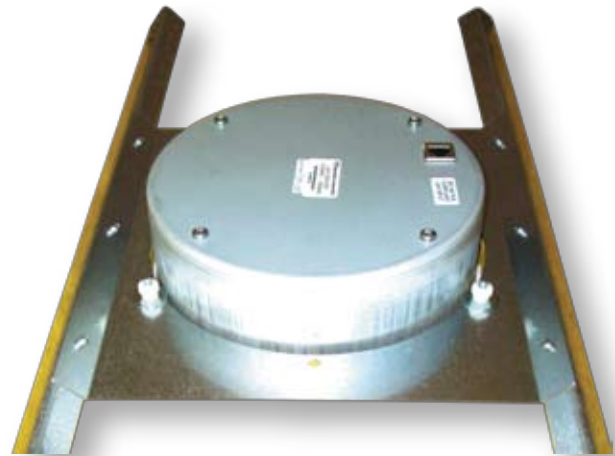
The Ceiling Speaker Tile Reinforcement enables the CyberData VoIP Ceiling Speaker for 24-inch wide ceiling tile mounting.

Ordering information:

When ordering one of the following:

- VoIP Ceiling Speaker (PN: 010844)
- VoIP V2 Ceiling Speaker (PN: 011098, 011099)
- VoIP V2 Talkback Ceiling Speaker (PN: 011022)
- Ceiling Speaker Tile Reinforcement (PN: 010991)

Please specify all of these items by their part number.



Features:

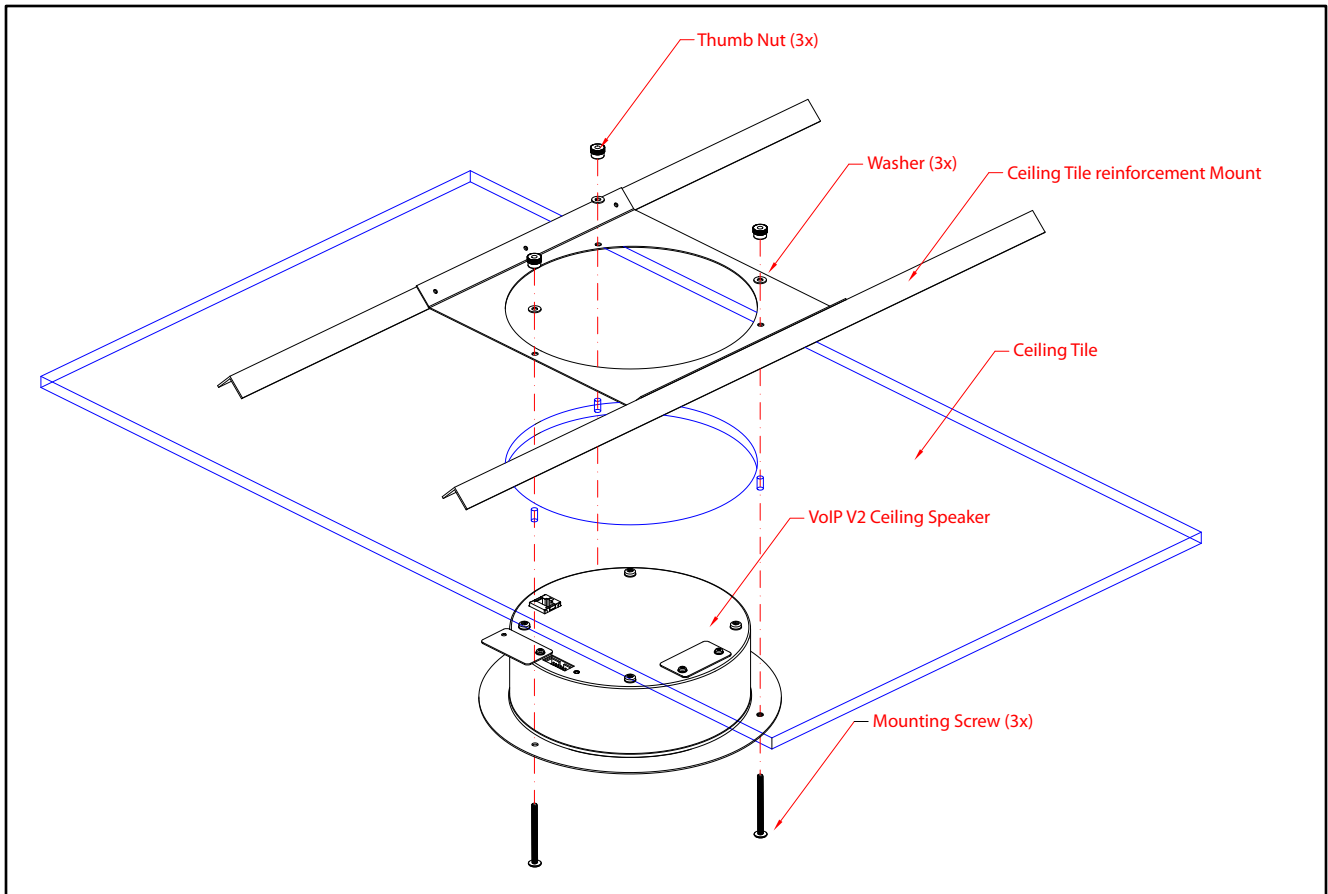
- Easy tile ceiling installation
- Mounting kit included
- Electrogalvanized steel construction
- RoHS compliant
- Part number: 010991
- Two years warranty

Specifications

Boxed Weight	1.8 lbs.
Part Number	010991

Ceiling Speaker Tile Reinforcement

Exploded View



Overall Dimensions

