

The CyberData InformaCast Enabled Outdoor Intercom can receive InformaCast notification messages, deliver two-way communication and provide secure access control for your VoIP phone system. This device is perfect for settings such as commercial or residential facilities, schools, universities, retail establishments, warehouses and manufacturing plants.



InformaCast Features

- Capable of receiving Singlewire InformaCast notification messages
- Compatible with Singlewire InformaCast v12.1, including support for downloading SIP credentials from InformaCast
- Supports Singlewire InformaCast High Quality Audio

Standard Features

- Compatible with Cisco Call Manager
- TLS 1.2 enhanced security for IP Endpoints in a local or cloud-based environment
- Full-duplex voice operation
- Supports SRST (Survivable Remote Site Telephony) in a Cisco environment
- Enhanced acoustic echo canceling
- Network web management and firmware download
- Network adjustable speaker volume
- Concurrent SIP and multicast paging
- Dry relay contact for auxiliary control
- Door closure and tamper alert signal

Specifications

Ethernet I/F	10/100 Mbps
Protocol	SIP RFC 3261 Compatible
Notification Software	Singlewire InformaCast v4.0 and above
Power Input	PoE 802.3af compliant or +8 to +12VDC @ 1000mA Regulated Power Supply (not included)
Speaker Output	2 Watts Peak Power
On-Board Relay	1A @ 30 VDC
Payload Types	G.711 a-law, G.711µ-law, G.722, and G.729
Network Security	TLS/SSL 1.2
IP Rating	IP65
Operating Range	Temperature: -40° C to 55° C (-40° F to 131° F) Humidity: 5-95%, non-condensing
Storage Temperature	Temperature: -40° C to 70° C (-40° F to 158° F)
Storage Altitude	Up to 15,000 ft. (4573 m)
Dimensions*	5.118 inches [130 mm] Length 2.252 inches [57.21 mm] Width 5.118 inches [130 mm] Height
Weight	2.0 lbs. [0.90 kg]
Boxed Weight	3.0 lbs. [1.36 kg]
Compliance	CE; EMC Directive – Class A EN 55032 & EN 55024, LV Safety Directive – EN 60950-1, RoHS Compliant, FCC; Part 15 Class A, Industry Canada; ICES-3 Class A, IEEE 802.3 Compliant
Warranty	2 Years Limited
Part Number	011309

Related Products:



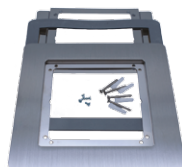
011375 Network Dual Door Strike Relay



011269 Door Strike Intermediate Relay Module



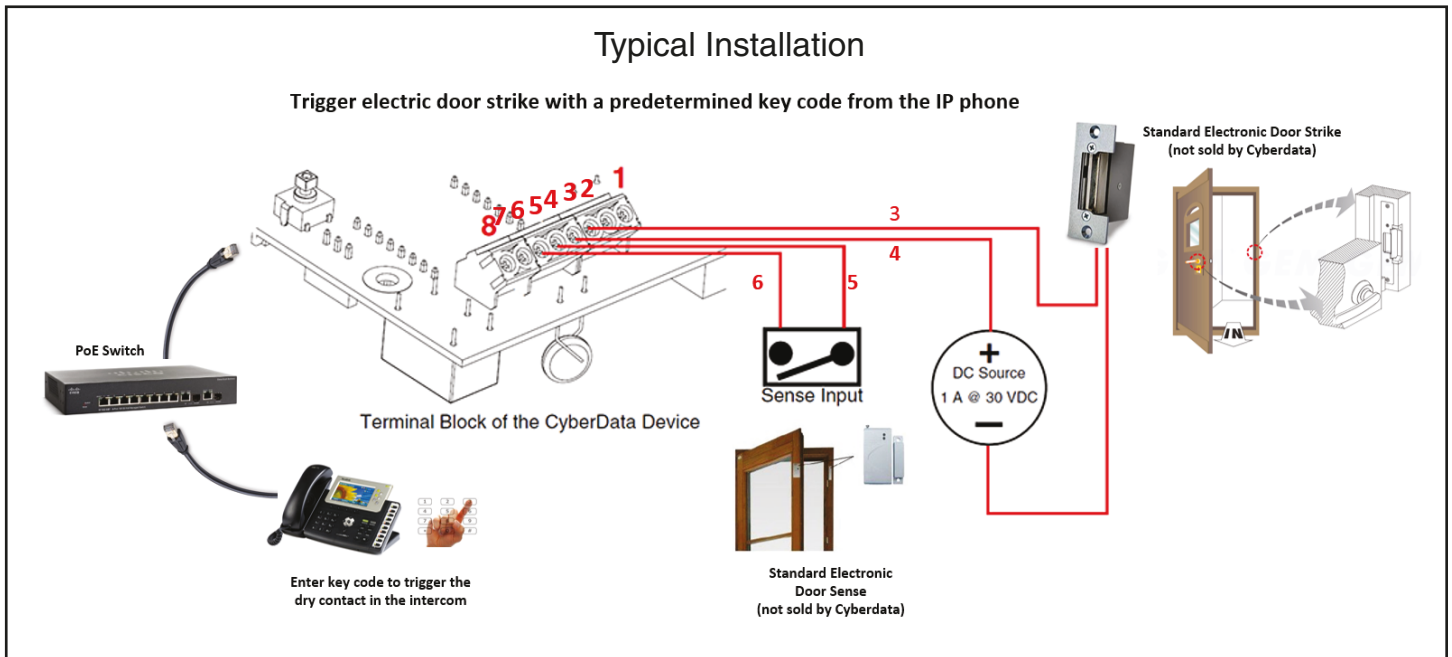
011188 Outdoor Shroud, 1X



011443 Flush Mount Kit, 1X

*Dimensions are measured from the perspective of the product being upright with the front of the product facing you.

InformaCast® Enabled Outdoor Intercom

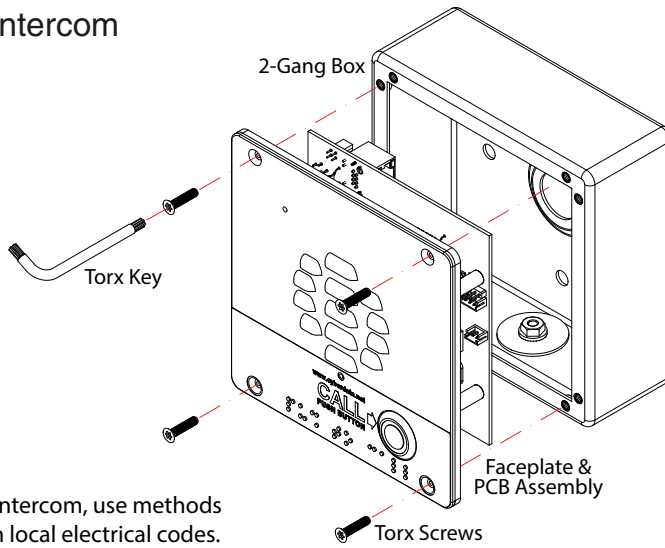


Intercom In Use



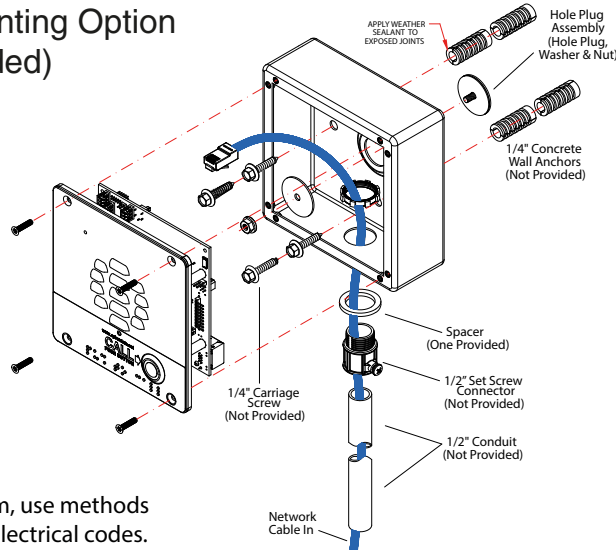
InformaCast® Enabled Outdoor Intercom

Securing the Intercom



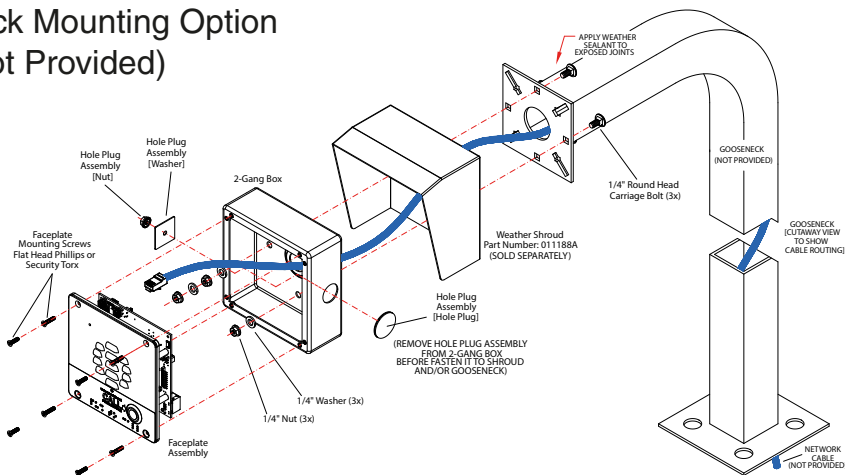
Note: To mount the intercom, use methods compliant with local electrical codes.

Concrete Wall Mounting Option (Not Provided)



Note: To mount the intercom, use methods compliant with local electrical codes.

Goose Neck Mounting Option (Not Provided)



Note: To mount the intercom, use methods compliant with local electrical codes.