

CyberData PoE Digital Clock

CyberData

The IP Endpoint Company

The easy to read 4 digit CyberData PoE Digital Clock connects to your PoE network and gets the device's precision time updated from an NTP (Network Time Protocol) server. The device includes an automatic daylight savings time mode and a Windows-based discovery and setup utility. No other software is required.

The CyberData PoE Digital Clock contains CyberData's exclusive PoE pass-through switch which allows other PoE devices to be daisy chained off of the clock.

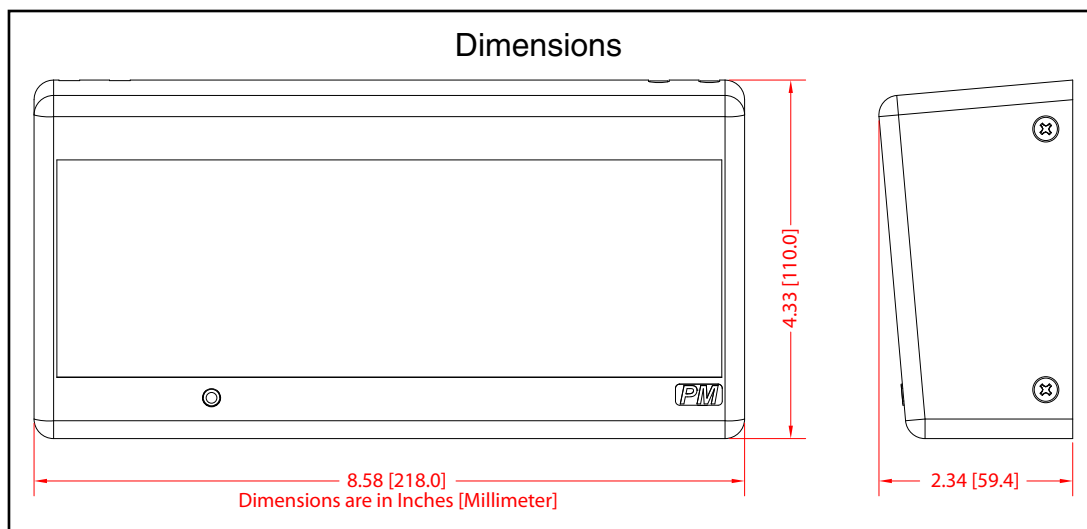


Features

- 4 digits that are 2.3-inches tall
- 13mCd brightness
- 5-Watts total power
- Network configurable, DHCP or static IP
- Network discoverable, with CyberData discovery and configuration utility
- 12/24 hour formats
- Configurable colon, on, off, flashing
- Configurable display intensity 1-15 or auto intensity - ambient light sense
- Configurable time zone
- Configurable daylight saving - automatic adjustment daylight savings or standard time
- Automatic NTP update, by IP or URL

Specifications

Ethernet I/F	10/100 Mbps
Protocol	SIP RFC 3261 Compatible
Power Input	PoE 802.3af compliant or +12 to +24 VDC at 1000 mA (500 mA minimum)
Operating Temperature	-40° C to +55° C (-40° F to 131° F)
Dimensions	8.58 inches x 2.34 inches x 4.33 inches
Warranty	2 years limited
Unit Weight	1.4 lbs.
Boxed Weight	2.0 lbs.
Part Number	011313



CyberData

The IP Endpoint Company

CyberData PoE Digital Clock

