

3-Port Gigabit Ethernet Switch USB-Powered

The CyberData 3-Port Gigabit Ethernet Switch enables users of a PC to split a single Gigabit Ethernet port into two Gigabit Ethernet ports. The power for the switch is supplied by the PC's USB port.

Features

- 3-port auto-negotiating (no crossover cable required)
- 10/100/1000 full duplex
- USB or PS/2 mouse-powered (no external power supply required)
- Link/Status and connection speed LEDs
- Low power
- VLAN Packet Forwarding
- RoHS compliant
- USB A to B cable included

Technical Details

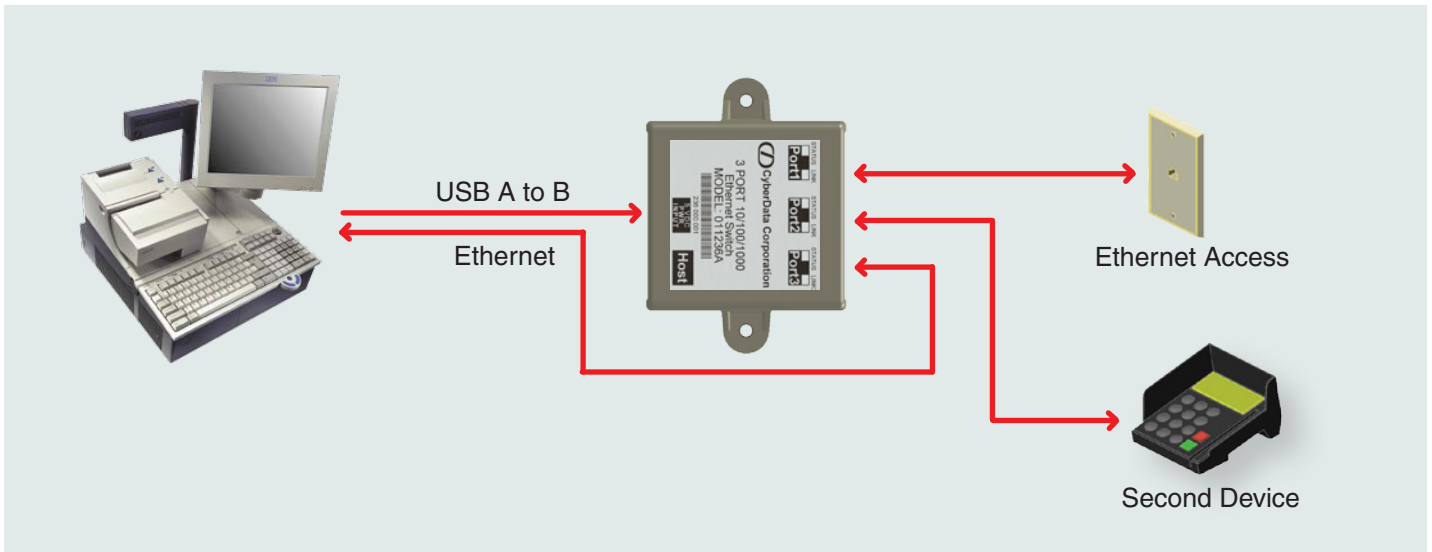
- All ports are 10/100/1000 Mbps auto sensing based upon the port's individual connection
- Each port has auto MDX - any port can be used as the uplink connection
- Fully compliant to IEEE 802.3u standard
- Automatic address learning, address aging and address migration
- Integrated lookup engine with 1k unicast MAC addresses
- 1.4Gbps high performance memory bandwidth



Specifications

Ports	3 x RJ45, 1 x USB-B
Dimensions	2.75" L x 3.78" W x 1.1" H
Warranty	2 years
Unit Weight	0.2 lbs.
Part Number	011236
Standards	IEEE 802.3u
Modes	10BASE-T, 100BASE-T, 1000BASE-T
Power	350 mA at 5 volts (supplied by either an USB or PS/2 port)
LEDs	Link/Status and Connection Speed
Operating temp.	-10° C to 50° C (14° F to 122° F)
Boxed Weight	0.3 lbs.

3-Port Gigabit Ethernet Switch (USB-Powered)



Typical Installation

