

# 2/4/5 Megapixel H.265 Mini PTZ Bullet Network Camera



**DATASHEET**

## KEY FEATURES

- ▶ H.265+ (70~80% reduction in bandwidth, storage and bit rate compared with H.264.)
- ▶ Smart IR II (Combining the High Beam and Low Beam to adjust IR intensity to fit different lighting conditions.)
- ▶ 140dB Super WDR (Excellent performance even when the ratio of the luminosity of brightest and darkest is up to 140dB.)
- ▶ Smart PTZ Motion Detection (Pan and tilt to the position of motion detected area automatically and zoom in synchronously.)
- ▶ 255 Preset Positions (The user can easily control the lens position via mouse to monitor interested area and set up to 255 preset positions for patrolling.)
- ▶ Keyboard Control (Shortcut keys for PTZ control via Milesight Keyboard.)
- ▶ Breathable Screw-in Vent (High weather-proof and air permeable performance to reduce fogging, condensation and eliminate moisture.)

## Video Content Analysis

Milesight VCA with 8 detection modes provides advanced, accurate smart video analysis for Milesight network cameras, enabling the comprehensive surveillance function and quicker response to different monitoring scenes.

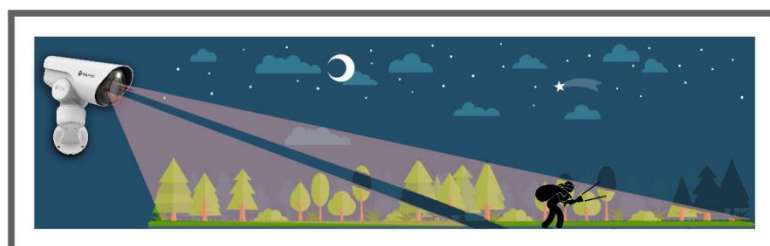


## 0.002Lux Ultra Low-light

The starlight camera is able to deliver high detailed color images even in low light environment reaching 0.002Lux(Color) or 0Lux(B/W), and near infrared light environments without any supplementary lighting.

## 12x Optical Zoom

The 12x optical zoom can zoom up to distant subjects while still maintaining the clarity, delivering high quality video over the entire zoom range.



## IR LEDs & White LED

Enable 100 meters distinct images at night with IR LEDs as well as express alarm and deliver colorful surveillance with the White LED.

# H.265 Mini PTZ Bullet Network Camera

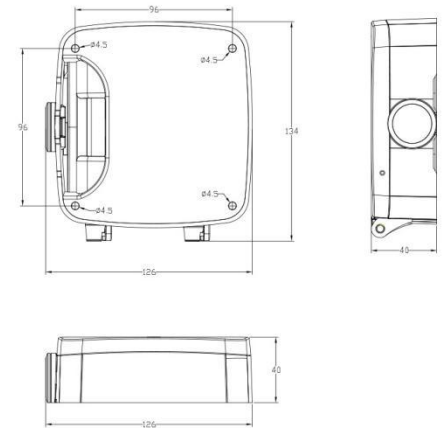
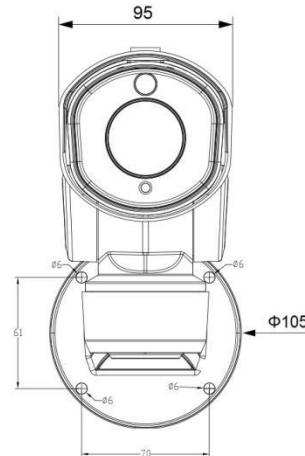
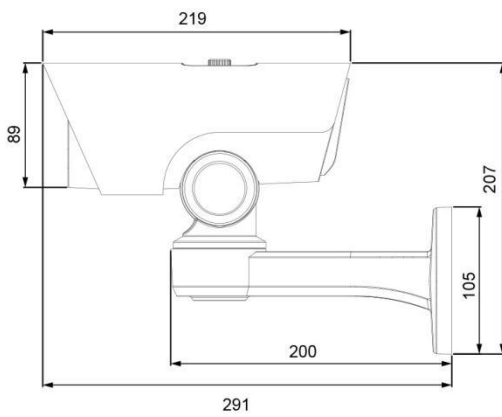
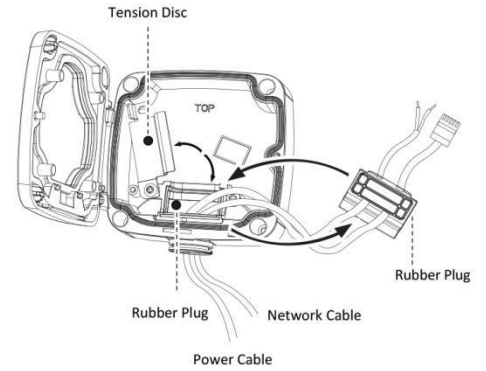
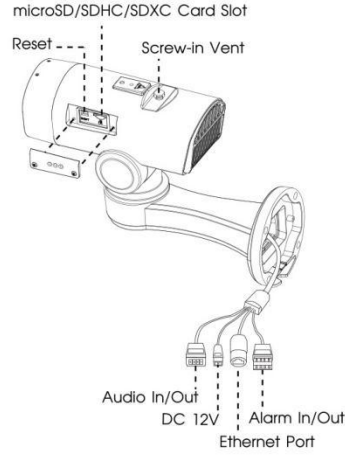
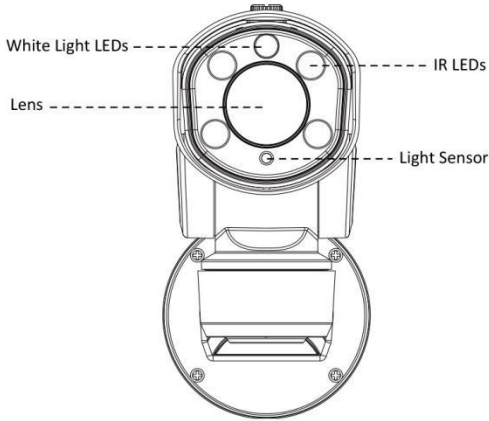


	Model	MS-C2961-EB(2MP)	MS-C4461-EB(4MP)	MS-C5361-EB(5MP)
<b>Camera</b>	Image Sensor	1/2.8" Progressive Scan CMOS	1/3" Progressive Scan CMOS	1/2.9" Progressive Scan CMOS
	Min. Illumination	Color: 0.002Lux@F1.2 B/W: 0Lux with IR on	Color: 0.008Lux@F1.2 B/W: 0Lux with IR on	Color: 0.006Lux@F1.2 B/W: 0Lux with IR on
	WDR	Super WDR up to 140dB	Super WDR up to 120dB	
	Shutter Time	1/100000s~1/5s		
	IR Distance	Up to 100m		
	Day&Night	ICR Filter Auto Switch		
<b>Lens</b>	Focal Length	5.3~64mm, 12x AF Lens		
	Zoom Speed	3.1s		
	Field of View	H58.6°~H5°/D66.5°~D5.8°/ V33.7°~V2.8°	H54.5°~H4.7°/D62.6°~D5.4°/ V32.5°~V2.7°	H49°~H3.9°/D59.4°~D4.8°/ V38.2°~V2.9°
	Minimum Working Distance	1000~1500mm (Wide-Tele)		
	Aperture	F1.6~F2.8		
<b>PTZ</b>	Pan Range	360°endless		
	Pan Speed	Pan Manual Speed: 0.2°~60°/s, Pan Preset Speed 100°/s		
	Tilt Range	-45°~30°		
	Tilt Speed	Tilt Manual Speed: 0.2°~30°/s, Tilt Preset Speed 60°/s		
	Proportional Zoom	Support		
	Preset Quantity	255		
	Patrol	8 Patrols, up to 48 presets each patrol		
	Pattern	4 Patterns		
	Power Loss Recovery	Support		
	PTZ Position Display	ON/OFF		
3D Positioning	Support			
<b>Video</b>	Max. Image Resolution	1920×1080	2592×1520	2560×1920
	Primary Stream	30fps@(1920×1080, 1280×960, 1280×720, 704×576)	20fps@(2592×1520), 30fps@(2304×1296, 1920×1080, 1280×960, 1280×720, 704×576)	20fps@(2560×1920, 2592×1520), 30fps@(2304×1296, 1920×1080, 1280×960, 1280×720, 704×576)
	Secondary Stream	30fps@(704×576, 640×480, 640×360, 352×288, 320×240, 320×192, 320×176 )		
	Tertiary Stream	30fps@(1920×1080, 1280×720, 704×576, 640×480, 640×360, 320×240, 320×192, 320×176 )		
	Video Compression	H.265 <sup>+</sup> /H.265(HEVC)/H.264 <sup>+</sup> /H.264/MJPEG		
	Video Bit Rate	16Kbps~16Mbps(CBR/VBR Adjustable)		
Image Setting	Brightness/Contrast/Saturation/Sharpness			
<b>Network</b>	Ethernet	1*RJ45 10M/100M Ethernet Port		
	Network Storage	NAS(Support NFS, SMB/CIFS)		
	Protocol	IPv4/IPv6, TCP, UDP, RTP, RTSP, RTCP, HTTP, HTTPS, DNS, DDNS, DHCP, FTP, NTP, SMTP, SNMP, UPnP, SIP, PPPoE, VLAN, 802.1x		
<b>Audio</b>	Audio Compression	G.711/AAC		
	Audio I/O	1/1		
<b>System</b>	Alarm I/O	1/1		
	Storage	Support microSD/SDHC/SDXC Card Local Storage, up to 128G		
	Advanced Function	Motion Detection, Privacy Masking, Backlight Compensation, HLC, 3D-DNR, ROI, Anti-fog		
	SIP/VoIP Support	Yes, Voice & Video-over-IP		
	Event Trigger	Motion Detection, Network Disconnection, Audio Alarm, External Input, etc.		
	Event Action	FTP Upload/ SMTP Upload/ SD Card Record/ External Output/ SIP Phone/ White LED/ PTZ Motion		
	Video Analysis (Optional)	Region Entrance, Region Exiting, Advanced Motion Detection, Tamper Detection, Line Crossing, Loitering, Human Detection, People Counting		
	System Compatibility	ONVIF Profile S		
<b>General</b>	Working Temperature	-30°C~60°C		
	Working Humidity	0~90%(Non-condensing)		
	Power Supply	DC 12V, 2A		
	Power Consumption	11.5W MAX 15.5W MAX (With IR on)		
	Weather Proof	Up to IP66-rated for Weather-resistant Performance		
	Weight	2Kg		
	Dimensions	291mm×207mm×95mm		
	Warranty	2 Years		

# H.265 Mini PTZ Bullet Network Camera



## Structure Diagrams



Units: mm

## Accessories Support

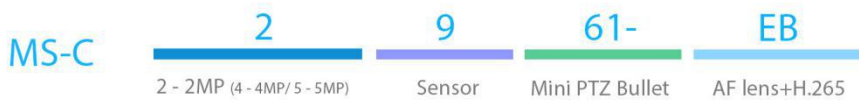
A01-N Pole mount with stainless steel straps  
Weight: 730g  
Dimensions: 170\*51.5\*152.6



A62 Junction box  
Weight: 510g  
Dimensions: 134\*127\*40mm



## Naming Convention



Milesight Technology Co.,Ltd. | [www.milesight.com](http://www.milesight.com)



Add: 7509 N.W. 36th Street, Miami, Florida 33166, USA  
Tel: +1-305-764-3474  
Mail: [sales@milesightusa.com](mailto:sales@milesightusa.com)

Add: 9F/901, Star Valley B/D Digital-ro 9gil 99, Geumcheon-gu, Seoul, Korea  
Tel: +82-2-839-3335  
Mail: [charley@milesight.co.kr](mailto:charley@milesight.co.kr)

Add: No.23 Wanghai Road, 2nd Software Park, Xiamen, China  
Tel: +86-592-5922772  
Mail: [sales@milesight.com](mailto:sales@milesight.com)

