

2/4/5 Megapixel H.265 Mini PoE PTZ Bullet Network Camera



MS-C2961-EPB/MS-C4461-EPB/
MS-C5361-EPB

DATASHEET

KEY FEATURES

- ▶ H.265+ (70~80% reduction in bandwidth, storage and bit rate compared with H.264.)
- ▶ Smart IR II (Combining the High Beam and Low Beam to adjust IR intensity to fit different lighting conditions.)
- ▶ 140dB Super WDR (Excellent performance even when the ratio of the luminosity of brightest and darkest is up to 140dB.)
- ▶ Smart PTZ Motion Detection (Pan and tilt to the position of motion detected area automatically and zoom in synchronously.)
- ▶ 255 Preset Positions (The user can easily control the lens position via mouse to monitor interested area and set up to 255 preset positions for patrolling.)
- ▶ Keyboard Control (Shortcut keys for PTZ control via Milesight Keyboard.)
- ▶ Breathable Screw-in Vent (High weather-proof and air permeable performance to reduce fogging, condensation and eliminate moisture.)

Video Content Analysis

Milesight VCA with 8 detection modes provides advanced, accurate smart video analysis for Milesight network cameras, enabling the comprehensive surveillance function and quicker response to different monitoring scenes.

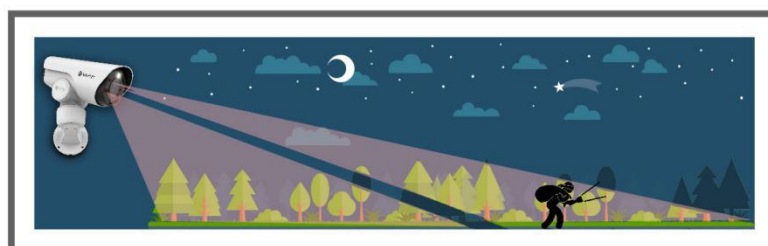
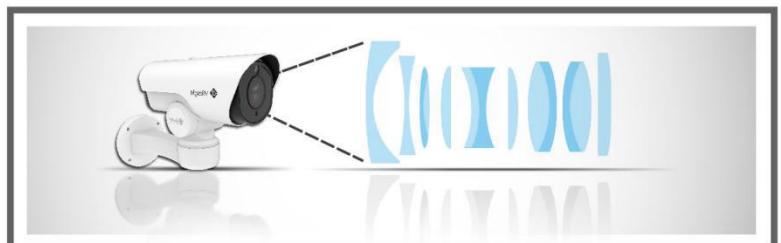


0.002Lux Ultra Low-light

The starlight camera is able to deliver high detailed color images even in low light environment reaching 0.002Lux(Color) or 0Lux(B/W), and near infrared light environments without any supplementary lighting.

12x Optical Zoom

The 12x optical zoom can zoom up to distant subjects while still maintaining the clarity, delivering high quality video over the entire zoom range.



IR LEDs & White LED

Enable 100 meters distinct images at night with IR LEDs as well as express alarm and deliver colorful surveillance with the White LED.

H.265 Mini PoE PTZ Bullet Network Camera

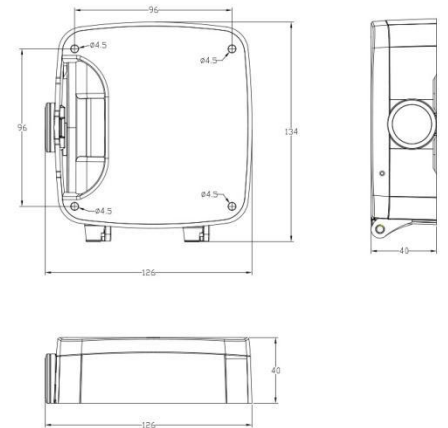
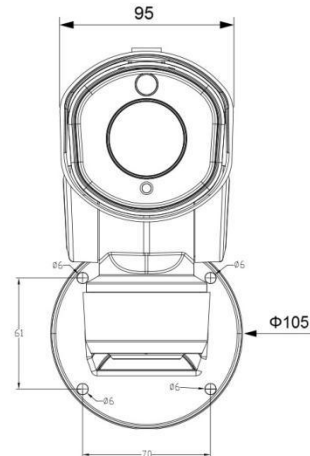
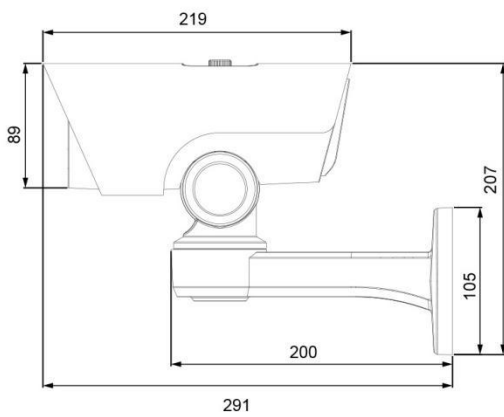
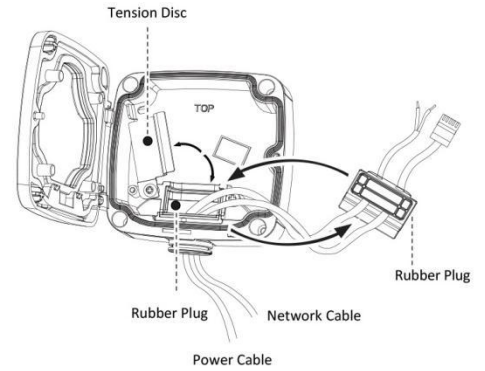
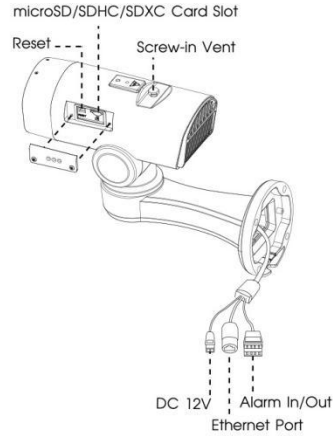
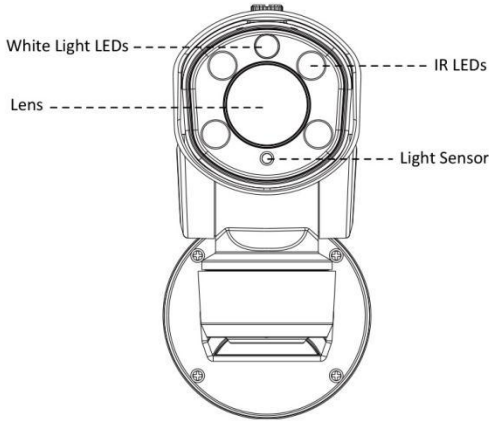


	Model	MS-C2961-EPB(2MP)	MS-C4461-EPB(4MP)	MS-C5361-EPB(5MP)
Camera	Image Sensor	1/2.8" Progressive Scan CMOS	1/3" Progressive Scan CMOS	1/2.9" Progressive Scan CMOS
	Min. Illumination	Color: 0.002Lux@F1.2 B/W: 0Lux with IR on	Color: 0.008Lux@F1.2 B/W: 0Lux with IR on	Color: 0.006Lux@F1.2 B/W: 0Lux with IR on
	WDR	Super WDR up to 140dB	Super WDR up to 120dB	
	Shutter Time	1/100000s~1/5s		
	IR Distance	Up to 100m		
	Day&Night	ICR Filter Auto Switch		
Lens	Focal Length	5.3~64mm, 12x AF Lens		
	Zoom Speed	3.1s		
	Field of View	H58.6°~H5°/D66.5°~D5.8°/ V33.7°~V2.8°	H54.5°~H4.7°/D62.6°~D5.4°/ V32.5°~V2.7°	H49°~H3.9°/D59.4°~D4.8°/ V38.2°~V2.9°
	Minimum Working Distance	1000~1500mm (Wide-Tele)		
	Aperture	F1.6~F2.8		
PTZ	Pan Range	360°endless		
	Pan Speed	Pan Manual Speed: 0.2°~60°/s, Pan Preset Speed 100°/s		
	Tilt Range	-45°~30°		
	Tilt Speed	Tilt Manual Speed: 0.2°~30°/s, Tilt Preset Speed 60°/s		
	Proportional Zoom	Support		
	Preset Quantity	255		
	Patrol	8 Patrols, up to 48 presets each patrol		
	Pattern	4 Patterns		
	Power Loss Recovery	Support		
	PTZ Position Display	ON/OFF		
3D Positioning	Support			
Video	Max. Image Resolution	1920×1080	2592×1520	2560×1920
	Primary Stream	30fps@(1920×1080, 1280×960, 1280×720, 704×576)	20fps@(2592×1520), 30fps@(2304×1296, 1920×1080, 1280×960, 1280×720, 704×576)	20fps@(2560×1920, 2592×1520), 30fps@(2304×1296, 1920×1080, 1280×960, 1280×720, 704×576)
	Secondary Stream	30fps@(704×576, 640×480, 640×360, 352×288, 320×240, 320×192, 320×176)		
	Tertiary Stream	30fps@(1920×1080, 1280×720, 704×576, 640×480, 640×360, 320×240, 320×192, 320×176)		
	Video Compression	H.265+/H.265(HEVC)/H.264+/H.264/MJPEG		
	Video Bit Rate	16Kbps~16Mbps(CBR/VBR Adjustable)		
	Image Setting	Brightness/Contrast/Saturation/Sharpness		
Network	Ethernet	1*RJ45 10M/100M Ethernet Port		
	Network Storage	NAS(Support NFS, SMB/CIFS)		
	Protocol	IPv4/IPv6, TCP, UDP, RTP, RTSP, RTCP, HTTP, HTTPS, DNS, DDNS, DHCP, FTP, NTP, SMTP, SNMP, UPnP, SIP, PPPoE, VLAN, 802.1x		
System	Alarm I/O	1/1		
	Storage	Support microSD/SDHC/SDXC Card Local Storage, up to 128G		
	Advanced Function	Motion Detection, Privacy Masking, Backlight Compensation, HLC, 3D-DNR, ROI, Anti-fog		
	SIP/VoIP Support	Yes, Voice & Video-over-IP		
	Event Trigger	Motion Detection, Network Disconnection, External Input, etc.		
	Event Action	FTP Upload/ SMTP Upload/ SD Card Record/ External Output/ SIP Phone/ White LED/ PTZ Motion		
	Video Analysis (Optional)	Region Entrance, Region Exiting, Advanced Motion Detection, Tamper Detection, Line Crossing, Loitering, Human Detection, People Counting		
	System Compatibility	ONVIF Profile S		
General	Working Temperature	-30°C~60°C		
	Working Humidity	0~90%(Non-condensing)		
	Power Supply	PoE (802.3at)/ DC 12V, 2A		
	Power Consumption	10.5W MAX		
		20W MAX (With IR on)		
	Weather Proof	Up to IP66-rated for Weather-resistant Performance		
	Weight	2Kg		
	Dimensions	291mm×207mm×95mm		
	Warranty	2 Years		

H.265 Mini PoE PTZ Bullet Network Camera



Structure Diagrams



Units: mm

Accessories Support

A01-N Pole mount with stainless steel straps
Weight: 730g
Dimensions: 170*51.5*152.6



A62 Junction box
Weight: 510g
Dimensions: 134*127*40mm



Naming Convention



Milesight Technology Co.,Ltd. | www.milesight.com



Add: 7509 N.W. 36th Street, Miami, Florida 33166, USA
Tel: +1-305-764-3474
Mail: sales@milesightusa.com

Add: 9F/901, Star Valley B/D Digital-ro 9gil 99, Geumcheon-gu, Seoul, Korea
Tel: +82-2-839-3335
Mail: charley@milesight.co.kr

Add: No.23 Wanghai Road, 2nd Software Park, Xiamen, China
Tel: +86-592-5922772
Mail: sales@milesight.com

