

2/3/5 Megapixel H.265 Speed Dome Network Camera



IP66

MS-C2942-(R)B/MS-C3742-B/
MS-5342-B

DATASHEET

KEY FEATURES

- ▶ H.265+ (70~80% reduction in bandwidth, storage and bit rate compared with H.264.)
- ▶ Smart IR II (Combining the High Beam and Low Beam to adjust IR intensity to fit different lighting conditions.)
- ▶ 140dB Super WDR (Excellent performance even when the ratio of the luminosity of brightest and darkest is up to 140dB.)
- ▶ Smart PTZ Motion Detection (Pan and tilt to the position of motion detected area automatically and zoom in synchronously.)
- ▶ IR Distance up to 200m (Enabling 200 meters distinct images at night with IR LEDs.)
- ▶ 255 Preset Positions (The user can easily control the lens position via mouse to monitor interested area and set up to 255 preset positions for patrolling.)
- ▶ Keyboard Control (Shortcut keys for PTZ control via Milesight Keyboard.)

Video Content Analysis

Milesight VCA with 8 detection modes provides advanced, accurate smart video analysis for Milesight network cameras, enabling the comprehensive surveillance function and quicker response to different monitoring scenes.

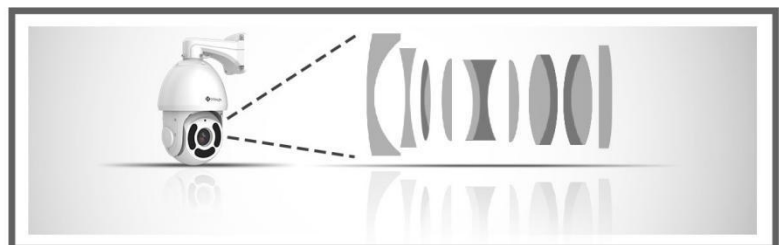


0.002Lux Ultra Low-light

The starlight camera is able to deliver high detailed color images even in low light environment reaching 0.002Lux(Color) or 0Lux(B/W), and near infrared light environments without any supplementary lighting.

30x Optical Zoom

The 30x optical zoom can zoom up to distant subjects while still maintaining the clarity, delivering high quality video over the entire zoom range.



360° Endless Pan, 0°~90° Auto Flip Tilt

With a sophisticated pan/tilt mechanism, Milesight Speed Dome Network Camera provides fast, precise movement with endless 360-degree pan and 90-degree tilt. The user can easily control the lens position via mouse to monitor area of interest and set up to 255 preset positions for patrolling. There are up to 8 patrol routes and maximum 4 patterns of the manual operation paths (for Pan, Tilt, Zoom and Focus) which can be set as required. Moreover, the user is able to schedule specific PTZ tasks by date and time.

H.265 Speed Dome Network Camera

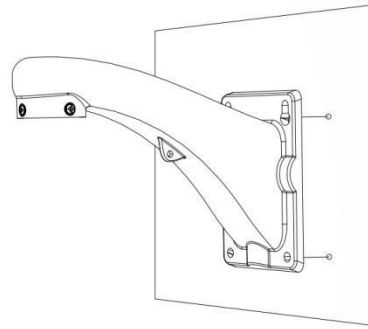
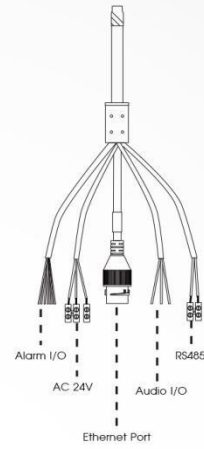
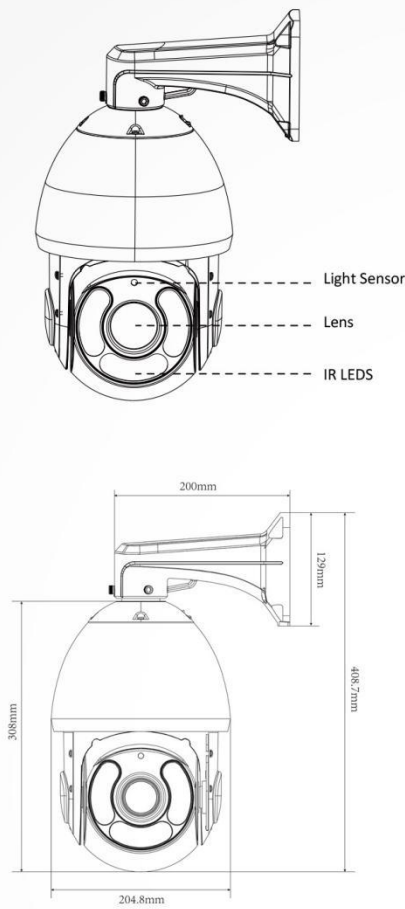


	Model	MS-C2942-(R)B(2MP)	MS-C3742-B(3MP)	MS-C5342-B(5MP)
Camera	Image Sensor	1/2.8" Progressive Scan CMOS	1/2.8" Progressive Scan CMOS	1/2.9" Progressive Scan CMOS
	Min. Illumination	Color: 0.002Lux@F1.2 B/W: 0Lux with IR on	Color: 0.005Lux@F1.2 B/W: 0Lux with IR on	Color: 0.006Lux@F1.2 B/W: 0Lux with IR on
	WDR	Super WDR up to 140dB	Super WDR up to 120dB	Super WDR up to 120dB
	Shutter Time	1/100000s~1/5s		
	Day&Night	ICR Filter Auto Switch		
Lens	Focal Length	4.7~141mm, 30x AF Lens		
	Zoom Speed	Approx 4s (Optical Wide-Tele)		
	Field of View	H59.6°~H3.4°/D67.8°~D3.9°/ V34.1°~V1.9°	H58.0°~H2.76°	H49.4°~H2.4°/D60°~D2.9°/ V38.5°~V1.8°
	Minimum Working Distance	10~1500mm (Wide-Tele)		
PTZ	Aperture	F1.5~F4.0		
	Pan Range	360°endless		
	Pan Speed	Pan Manual Speed: 0.5°~180°/s, Pan Preset Speed: 240°/s		
	Tilt Range	0°~90°(Auto Flip)		
	Tilt Speed	Tilt Manual Speed: 0.5°~120°/s, Tilt Preset Speed: 200°/s		
	Proportional Zoom	Support		
	Preset Quantity	255		
	Patrol	8 Patrols, up to 48 presets each patrol		
	Pattern	4 Patterns		
	Power Loss Recovery	Support		
	PTZ Position Display	ON/OFF		
3D positioning	Support			
IR	IR Distance	Up to 200m		
	IR Angle	Auto/Manual		
Video	Max. Image Resolution	1920×1080	2048×1536	2560×1920
	Primary Stream	30fps@(1920×1080, 1280×960, 1280×720, 704×576) (60fps available for -R series)	30fps@(2048×1536, 1920×1080, 1280×960, 1280×720, 704×576)	20fps@(2560×1920, 2592×1520), 30fps@(2304×1296, 1920×1080, 1280×960, 1280×720, 704×576)
	Secondary Stream	30fps@(704×576, 640×480, 640×360, 352×288, 320×240, 320×192, 320×176)		
	Tertiary Stream	30fps@(1920×1080, 1280×720, 704×576, 640×480, 640×360, 320×240, 320×192, 320×176)		
	Video Compression	H.265+/H.265(HEVC)/H.264+/H.264/MJPEG		
	Video Bit Rate	16Kbps~16Mbps(CBR/VBR Adjustable)		
	Image Setting	Brightness/Contrast/Saturation/Sharpness		
Network	Ethernet	1*RJ45 10M/100M Ethernet Port		
	Network Storage	NAS(Support NFS, SMB/CIFS)		
	Protocol	IPv4/IPv6, TCP, UDP, RTP, RTSP, RTCP, HTTP, HTTPS, DNS, DDNS, DHCP, FTP, NTP, SMTP, SNMP, UPnP, SIP, PPPoE, VLAN, 802.1x		
Audio	Audio Compression	G.711/AAC		
	Audio I/O	1/1		
System	Alarm I/O	2/2		
	RS485	Support		
	Storage	Support microSD/SDHC/SDXC Card Local Storage, up to 128G		
	Advanced Function	Motion Detection, Privacy Masking, Backlight Compensation, HLC, 3D-DNR, ROI, Anti-fog		
	SIP/VoIP Support	Yes, Voice & Video-over-IP		
	Event Trigger	Motion Detection, Network Disconnection, Audio Alarm, etc.		
	Event Action	FTP Upload/ SMTP Upload/ SD Card Record/ SIP Phone/ PTZ Motion		
	Video Analysis (Optional)	Region Entrance, Region Exiting, Advanced Motion Detection, Tamper Detection, Line Crossing, Loitering, Human Detection, People Counting		
System Compatibility	ONVIF Profile S			
General	Working Condition	Temperature: -30℃~60℃ / Humidity: 0~90%(Non-condensing)		
	Power Supply	AC 24V/3A ±10%		
	Power Consumption	35W MAX		
	Weather Proof	Up to IP66-rated for Weather-resistant Performance		
	Dimensions/Weight	Φ204.8*308mm/4Kg		
Warranty	2 Years			

H.265 Speed Dome Network Camera



Structure Diagrams



Units: mm

Accessories Support

A01-N Pole mount with stainless steel straps

Weight: 730g
Dimensions: 170*51.5*152.6mm



Naming Convention



Milesight Technology Co.,Ltd. | www.milesight.com



Add: 7509 N.W. 36th Street, Miami,
Florida 33166, USA
Tel: +1-305-764-3474
Mail: sales@milesightusa.com

Add: 9F/901, Star Valley B/D Digital-ro
9gil 99, Geumcheon-gu, Seoul, Korea
Tel: +82-2-839-3335
Mail: charley@milesight.co.kr

Add: No.23 Wanghai Road,
2nd Software Park, Xiamen, China
Tel: +86-592-5922772
Mail: sales@milesight.com

