

# SIP Speaker with Talk-Back

# CyberData

The IP Endpoint Company

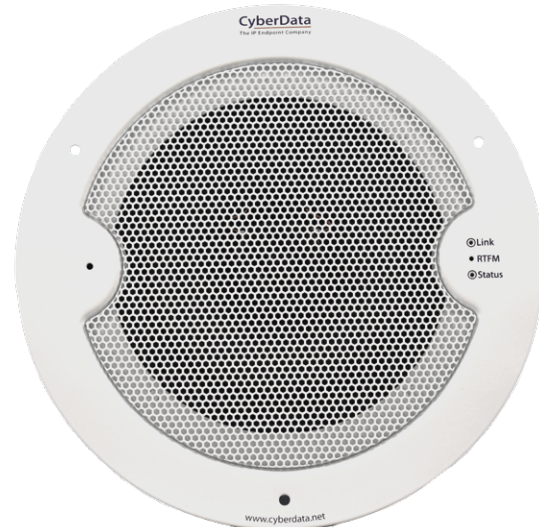
CyberData's SIP Speaker with Talk-Back is a Power-over-Ethernet (PoE 802.3af/802.3at) and Voice-over-IP (VoIP) public address indoor speaker that easily connects into existing local area networks with a single Ethernet cable connection. The speaker is compatible with most IP PBX servers. The speaker plays multicast messages, independent of the SIP environment. Its small footprint and minimal depth allows the speaker to be discreetly mounted almost anywhere.

The Talk-Back feature, when enabled, provides full-duplex two-way conversations in indoor settings such as classrooms, offices, medical facilities and clinics. When used with the Remote Call Button, calls to a predetermined extension can be initiated from the room with the speaker. Alternatively, a call can be placed to the speaker to initiate either a page or two-way conversation. This feature also allows for speaker health check.

CyberData's SIP enabled VoIP products are compatible with a vast majority of VoIP systems including SBCs, Gateways, and phone systems both on-premise or cloud-based.

## Features

- Talk-back capability can be enabled during provisioning or from the web page
- Full duplex audio with configurable echo cancelling
- Adaptive half duplex audio with configurable VOX (Voice-Operated Switch) settings
- Half duplex push to talk audio from the far side using the phone's keypad or from the Speaker side using CyberData's Remote Call Button
- Ambient noise compensation, where the device will measure the ambient sound level in the area and adjust the volume of the speaker accordingly
- Audio health check to verify hardware functionality that can be scheduled or launched manually
- Configurable event generation for device health and status monitoring
- Supports a Monitor Mode
  
- Simultaneous SIP and multicast
- Paging prioritization
- User-uploadable ring and alert tones
- Support for security code to prevent unwanted SIP calls
- Can receive pages directly from Poly phones as well as other devices that can send standard multicast
- Loud/Night Ringer function - second SIP extension
- Support for 10 multicast paging groups
  
- Can drive an optional external analog speaker for greater coverage
- Can support an Auxiliary Strobe for ADA-compliant visual notification
- DTMF-controlled relay
- Line-out connection
- Network volume control
  
- TLS 1.2 and SRTP enhanced security for IP Endpoints in a local or cloud-based environment
- Autoprovisioning via HTTP, HTTPS, or TFTP
- HTTPS web based configuration
- 802.11q VLAN tagging
- Support for Cisco SRST/multiple SIP servers for redundancy

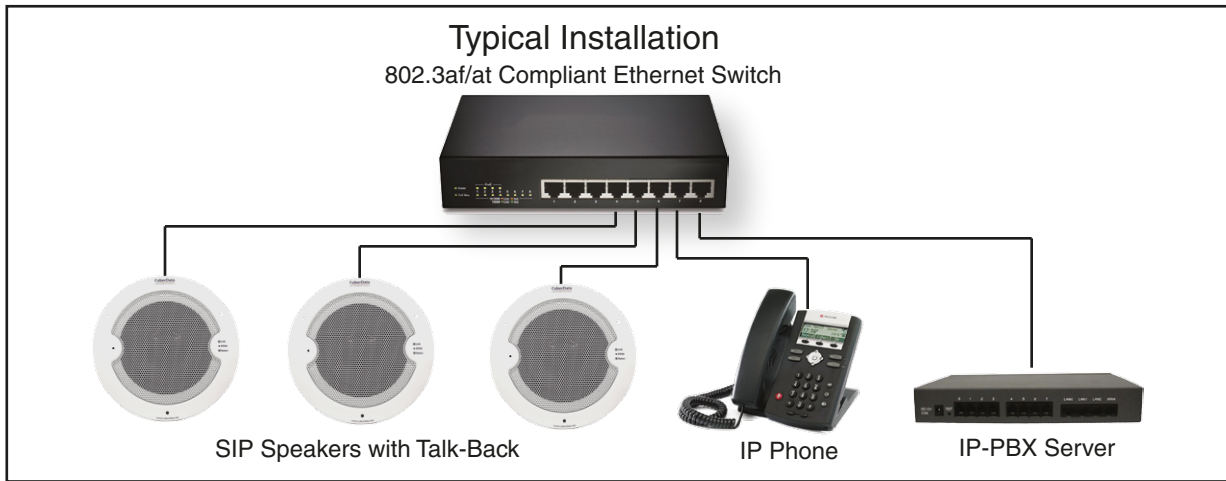


## Specifications

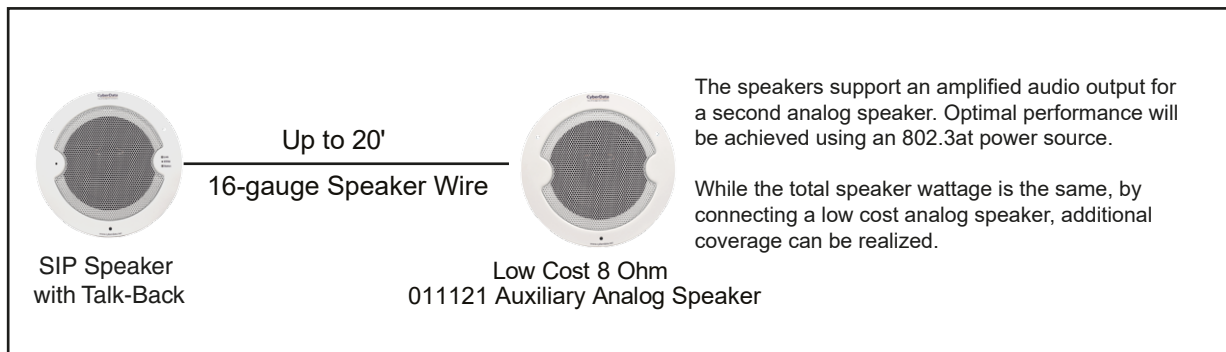
Ethernet I/F	10/100 Mbps
Protocol	SIP RFC 3261 Compatible
Power Input	PoE 802.3af/802.3at compliant
Audio Output	802.3af - SPL 103 dB @ 1 meter 802.3at - SPL 105 dB @ 1 meter
On-Board Relay	1A @ 30 VDC
Payload Types	G.711 a-law, G.711 $\mu$ -law, G.722, and G.729
Network Security	TLS 1.2, SRTP, HTTPS
Operating Range	Temperature: -40° C to 55° C (-40° F to 131° F) Humidity: 5-95%, non-condensing
Storage Temperature	-40° C to 70° C (-40° F to 158° F)
Storage Altitude	Up to 15,000 ft. (4573 m)
Dimensions*	9.055 in. [230 mm] Grill Diameter 7.25 in. [184.2 mm] Can Diameter 3.08 in. [76.11 mm] Depth
Weight	3.0 lbs [1.36 kg]
Boxed Weight	4.0 lbs. [1.81 kg]
Compliance	CE: EMC Directive – Class A EN 55032 & EN 55024, LV Safety Directive EN 62368-1; RoHS Compliant; FCC Part 15 Class; Industry Canada ICES-3 Class A; IEEE 802.3 Compliant; TAA Compliant
Warranty	2 Year Limited
Part Number	011394

\*Dimensions are measured from the perspective of the product being upright with the front of the product facing you.

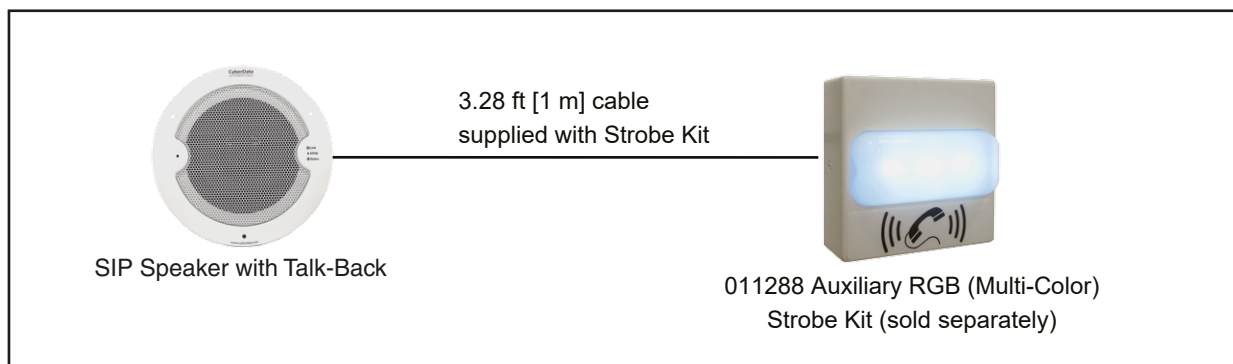
# SIP Speaker with Talk-Back



## Speaker with Extra Speaker Connection

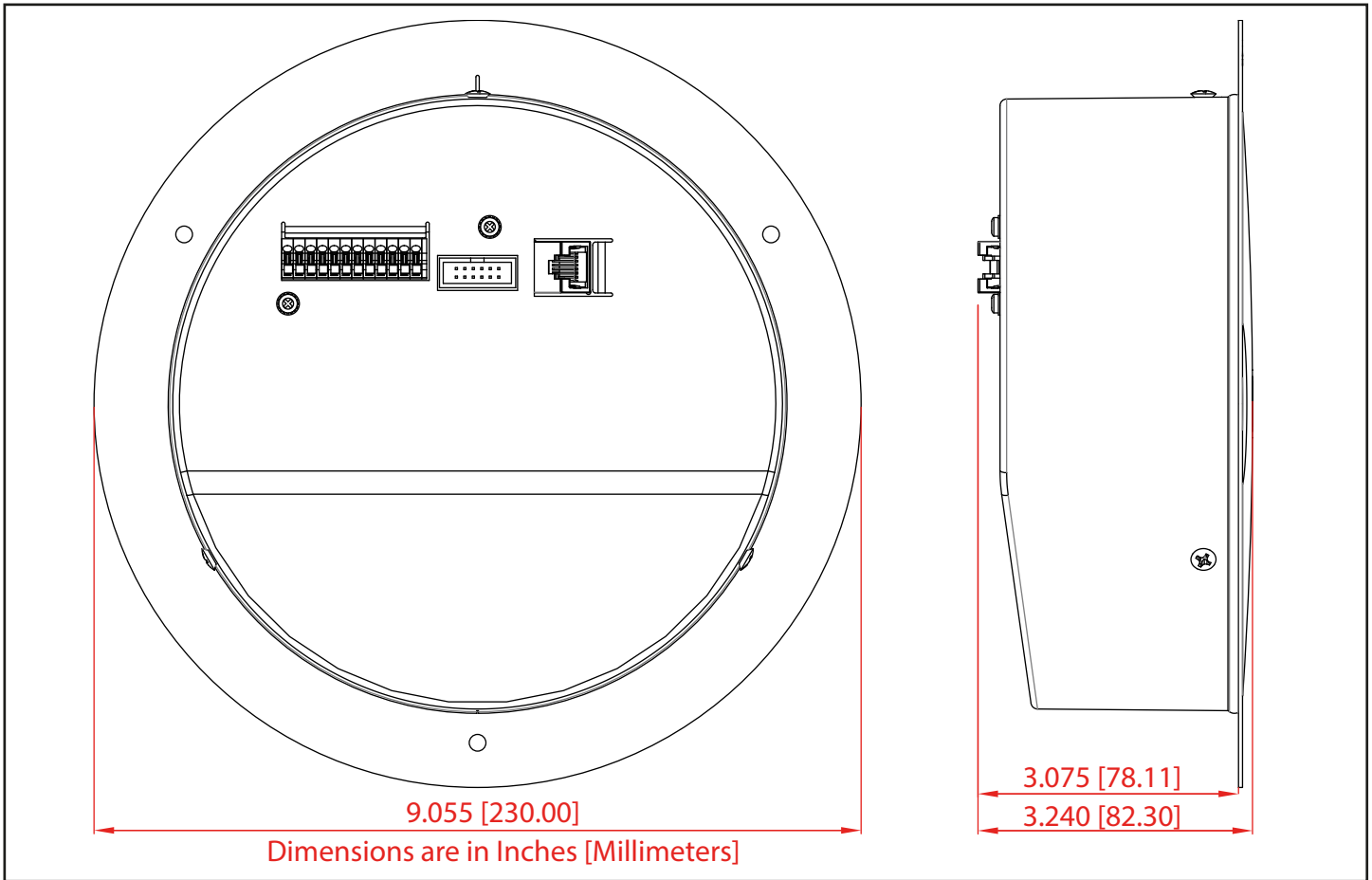


## Speaker with Auxiliary RGB (Multi-Color) Strobe Kit



# SIP Speaker with Talk-Back

## Dimensions



## Related Products

### Mounting Hardware



010991 Ceiling Mount



011039 Conduit Speaker Mount



011152 Speaker  
Wall Mount

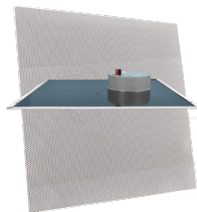


011154 Wall  
Mount Clock Kit

### Speaker and Paging Accessories



011121 Auxiliary  
Analog Speaker



011523 Auxiliary Analog 2 x 2  
Ceiling Tile Drop-In Speaker



011288 Auxiliary RGB  
(Multi-Color) Strobe Kit