

DTT/DTR SERIES

Industrial Desk/Wall Telephones and Ringdown Telephones

DTT-50



DTT SERIES has optional push to talk PTT handset

DTR-51



DTR SERIES has volume control handset

DTT/DTR SERIES OF TELEPHONES

Guardian's DTT/DTR SERIES telephones are designed to provide safe, reliable communication in industrial areas that are prone to harmful environments, where consumer phones are not suitable. Dust and Corrosion resistant.

DTT/DTR SERIES INDUSTRIAL ANALOG NON-HAZARDOUS TELEPHONES

- DTT-50 - Silicone Keypad/Handset/Heavy duty Curly Cord.
- DTT-60 - Silicone Keypad/Handset/Armored Cord.
- DTR-51 - Direct call ringdown/Volume Control Handset/Heavy duty Curly Cord.
- DTR-61 - Direct call ringdown/Volume Control Handset/Armored Cord.

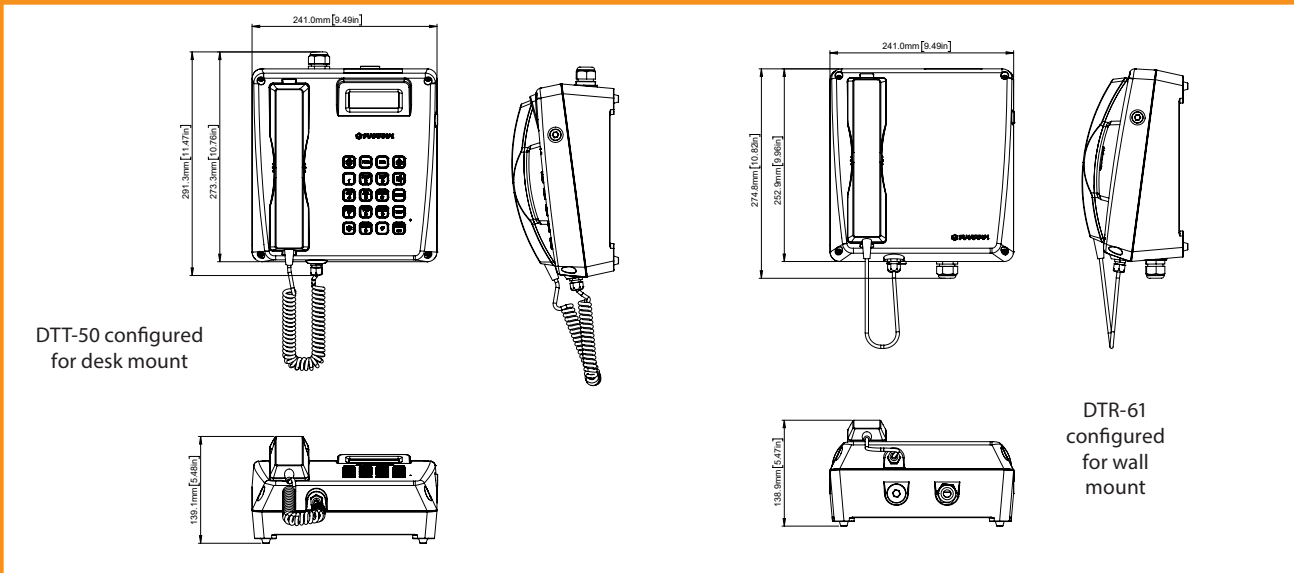
FEATURES and BENEFITS

- Static dissipative, high impact thermoset resin industrial housing and ergonomic heavy duty handset – IP-66 compliant.
- DTT models feature a back-lit LCD display – 2 line x 16 character: English, French or Spanish.
- Reversible base for desktop or wall mount configurations.
- Audio modes – handset and hands-free speaker phone or optional headsets (DTT only).
- Optional Push To Talk (PTT) switch in handset to manually enable microphone (DTT Only).
- Corrosion resistant hardware.
- Noise canceling microphone.
- Self resetting fuse prevents damage to the electronic circuits in the event of a high voltage spike on the telephone line.
- Magnetic reed hook switch to reduce parts subject to wear.
- Factory set to tone (DTMF) Operation.
- Pulse dialing can be software configured in the field, 40:60 or 33:66.
- Removable handset retainer latches on cradle.
- Large urethane coated watertight Silicone keypad on DTT models.
- Link, Release, Redial and Flash keys on DTT models.
- Hearing-aid compatible (HAC) receiver.
- Receiver Volume Control provides user with a 16 dB range.
- Heavy duty coil cord on DTT-50 and DTR-51 or armored cord on DTT-60 or DTR-61.
- Built in ring detect relay to switch up to 240V @ 5 amps.
- DTT models – 20 number memory including 10 single quick dial numbers.
- Programmable auto hang-up timer.
- Two M20 and one M12 gland entries.
- Field repairable by authorized personnel.
- Does not require external power – operates on telephone line power.

APPLICATIONS

- | | |
|-----------------------------|--------------------------|
| Refineries | Sewage Plants |
| Power Generation Facilities | Drilling Rigs |
| Pulp and Paper Mills | Hydroelectric Facilities |
| Food Processing Plants | Warehouses |
| Chemical Plants | Mines |
| Material Sites | Greenhouses |
| Cement Plants | and more . . . |

OVERALL DIMENSIONS



DTT-50 configured for desk mount

DTR-61 configured for wall mount

DTT Industrial Desk/Wall Telephones • DTR Industrial Desk/Wall Ringdown Telephones

ENGINEERING SPECIFICATIONS

ELECTRICAL PERFORMANCE

Audible Range Frequency Response	300 - 3400 Hz
Hands Free Speaker Output on DTT Models (Max @ 1KHz)	~85dB @ 1 Meter
Transmit Objective Loudness Rating (TOLR)	Nominal -38.5 +/- 3 dB
Receiver Volume Adjustment on DTT-Z Models	8 Steps, 2 dB/Step
Receiver Objective Loudness Rating (ROLR)	Nominal 50 +/- 3 dB
- receiver volume at maximum	42 +/- 3 dB
- receiver volume at minimum	58 +/- 3 dB
Side Tone Objective Loudness Rating (SOLR)	Nominal 11 +/- 4 dB
- receiver volume at maximum	0 +/- 4 dB
- receiver volume at minimum	10 +/- 4 dB
Quick Dial	10 Registers of 20 Digits Each
Flash	280/600 mSec Timed Disconnect
Redial	31 Digits Maximum
Ringer Output	85 dB @ 1M
Set Impedance	600 Ohms Nominal
Maximum Loop	15Kft (~4,600m) of 22 AWG Wire

North American Configuration¹

Dialing Method (DTT Models Only)
DTMF 40:60 Pulse @10 PPS

European Configuration¹

Dialing Method (DTT Models Only)
¹Conforms To

DTMF or 33:66 Pulse @10 PPS
Residential and Industrial Areas
ETSI TBR 38: May 1998 (Acoustics)
ETSI TBR 21: January 1998 (Telephone Network)

MECHANICAL SPECIFICATIONS

Hook Switch (Cradle Switch) Life	> 1 000 000 Operations
Housing Material	High Impact Thermoset Resin Compound
Handset Material	High Impact Thermoset Resin Compound
Net Weight	8.68 lbs (3.95 kg)
Mechanical Dimensions	241mm [9.5"] W x 273mm [10.76"] L x 139mm [5.5"] H
Shipping Weight	10.7 lbs (4.9 kg)
Shipping Dimensions (L x W x D)	16.0" x 10.5" x 9.5" (407 x 267 x 242 mm)
Mounting	Desk or Wall
Microphone	Noise Canceling
Receiver	Hearing Aid Compatible (HAC)
Hardware Material	Stainless Steel
Wiring Access	DTT Models - 2 x M20 & 1 x M12 Cable Gland Entry Points DTR Models - 2 x M20 Cable Gland Entry Points

ELECTRICAL REQUIREMENTS

Ringer Sensitivity	40 - 100 V, 16 - 25 Hz
Line Voltage	24 - 56 VDC
Loop Current	DTT 26 - 100 mA, DTR 20 - 100 mA
Connection Method	Terminal Blocks
Fuse - Main Telephone CCT	250 mA - Auto Reset
Ring Detect Relay Contacts (Fused)	5 Amp 250 VAC Fast Blow

ENVIRONMENTAL

Corrosion Resistant & Dustproof	Full Gasket Faceplate
Operating temp:	-40° to +140°F (-40° to +60°C)*
Storage Temp:	-58° to +176°F (-50° to +80°C)*
* The LCD on DTT models may become non-responsive in temperatures under -20°C (-4°F)	
Ingress Protection Rating	IP66
Humidity	0 to 95% RH

COMPLIANCE



ORDERING INFORMATION

Warranty: Three years parts and labor

Order No.	Description
P3027	DTT-50 Telephone/Silicone Keypad /Volume Control on Keypad/Curly Cord
P3028	DTT-60 Telephone/Silicone Keypad/Volume Control on Keypad/Armored Cord
P3029	DTR-51 Ringdown Telephone/Volume Control on Handset/Curly Cord
P3030	DTR-61 Ringdown Telephone/Volume Control on Handset/Armored Cord

Options

OA-DTT-PTT DTT Series Push To Talk (PTT) handset, disables mic when not in-use
Extended handset curly cords (up to 20ft/6.1m)
Headset, Contact a Guardian Telecom sales representative for details
Custom colors are available for non-zone I applications. Minimum quantities or premiums may apply. For details on custom options, contact a Guardian Telecom sales representative.

Distributed by:



GUARDIAN TELECOM, a division of CIRCA ENTERPRISES INC.
Calgary, Alberta, Canada
Telephone: 403 258-3100 Facsimile: 403 255-2595
1-800-363-8010 (North America)
info@guardiantelecom.com | www.guardiantelecom.com