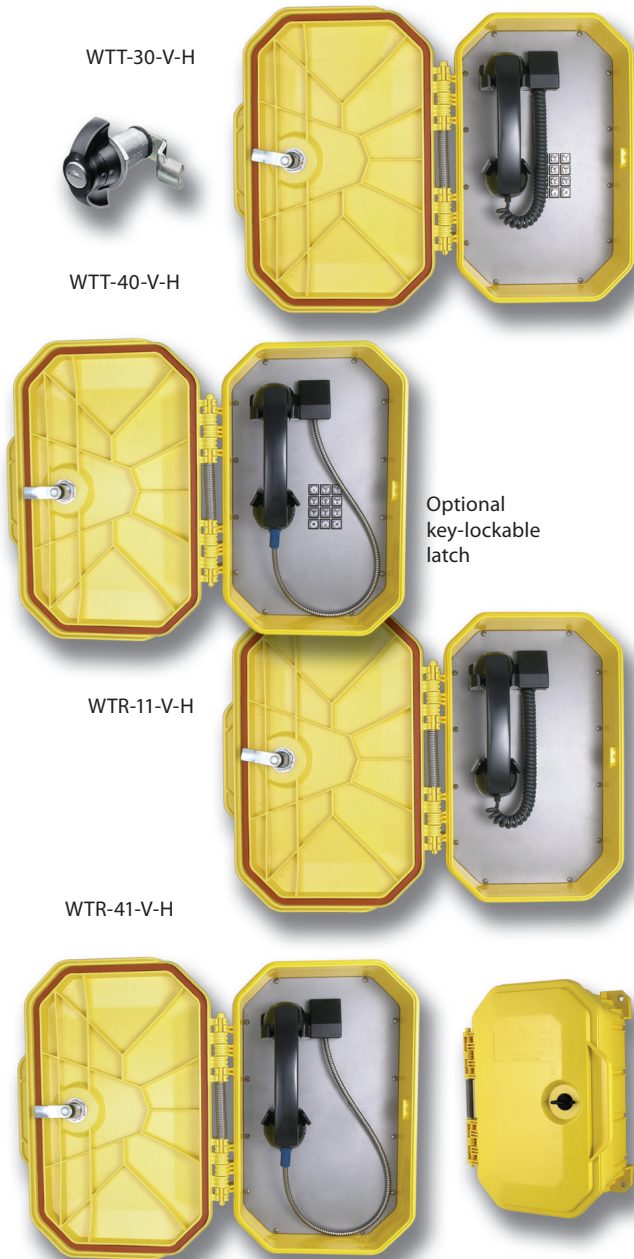


WTT-V-H / WTR-V-H

Hazardous Area Watertight IP Telephones & Watertight IP Ringdown Telephones



FEATURES and BENEFITS

- "Full" duplex operation
- PoE 802.3af enabled (Power-over-Ethernet) or alternate power source
- Compatible with most SIP-based IP-PBX servers that comply with SIP (RFC 3261). (Refer to the Guardian VoIP web page for a list of certified servers)
- Network web management interface
- Guardian Discovery Utility makes it easy to detect, locate and launch the web based configuration screens
- Product self diagnostic testing available through web interface
- Network adjustable speaker volume and microphone sensitivity
- Network downloadable firmware
- Remote programming – allows you to manage your network from a central location
- Corrosion protected and powder coated steel, full gasket faceplate
- WTT-V-H models have metal keypads for extended life
- Vandal resistant armored handset cord with lanyard on WTT-40-V-H & WTR-41-V-H models
- Heavy duty G Type industrial handset
- Integrated mounting feet
- Handset retainers to maintain on-hook status
- Spring loaded door
- Drill guides provided for top & bottom mount glands
- Electret noise reducing microphone for clear communication
- Water/dust-tight thermoplastic resin enclosure, Type 4X & IP66
- Waterproof connections & stainless steel fittings for longer life
- Magnetic reed hook switch to reduce parts subject to wear
- Modular parts for easy service
- Hearing aid compatible & receiver volume adjustment

APPLICATIONS

Guardian's WTT-V-H & WTR-V-H telephones are the top of the line telephones for use in the most extreme conditions such as:

All Outdoor Locations
Pulp & Paper Mills
Highway Call Boxes
Public Access Areas
Parking Structures
Public Transit Sites

Construction Sites
Food Processing Plants
Outdoor Sporting Facilities
Correctional Facilities
University Campuses
Plant Entry Gates

Greenhouses
Sewage Plants
Parks
Tunnels
Waterfronts
and more ...

Guardian's WTT-V-H/WTR-V-H SERIES Water Tight Industrial Telephone Series offer maximum efficiency under extreme environmental conditions. The sturdy thermoplastic resin enclosure protects the internal circuitry against wind blown dust, rain, corrosion, splashing and high pressure water.

With Type 4X & IP66 ratings these are ideal telephones for harsh conditions.

In addition to being certified for use in Class I, Division 2 applications, it has both Type 4X & IP66 ratings which make it ideal for use in offshore or corrosive atmospheres.

ACCESSORIES

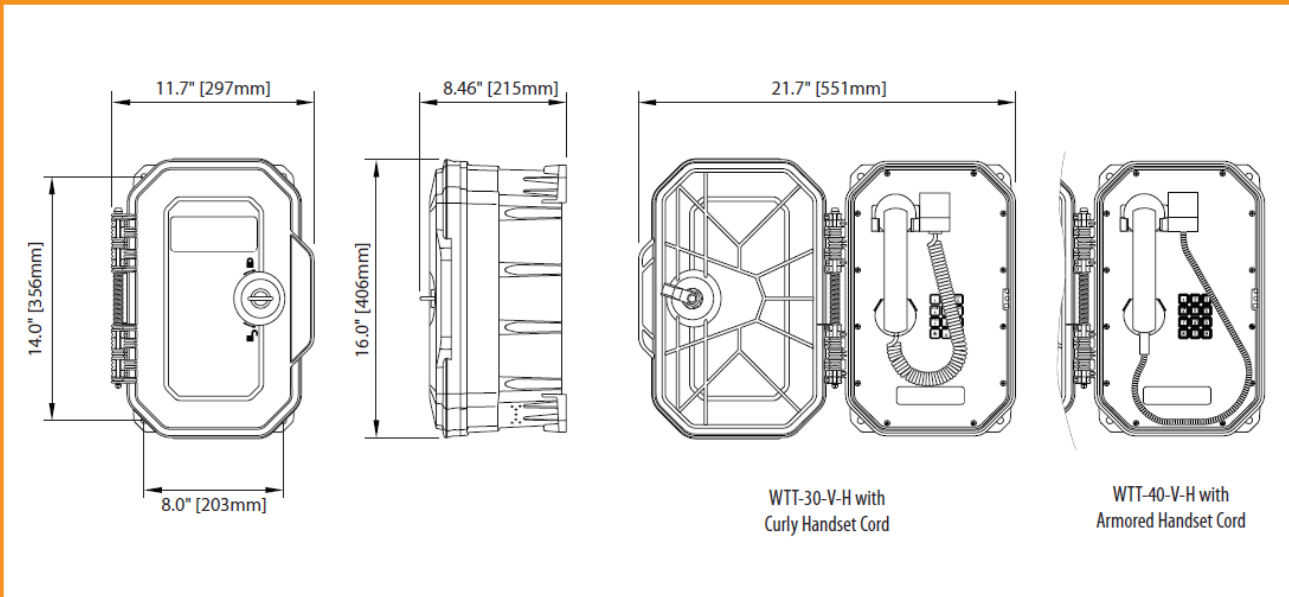
- External ringer
- Visual Alerter



tough. trusted. true.



OVERALL DIMENSIONS



WTT-V-H Watertight VoIP Telephones • WTR-V-H Watertight VoIP Ringdown Telephones

ENGINEERING SPECIFICATIONS

ELECTRICAL PERFORMANCE

Network Rate
Protocols:

10/100 Mbps
SIP (RFC 3261 Compliant)
HTTP Web-based configuration
DHCP Client
TFTP Client
RTP

Audio Encodings:

PCMU (G.711 mu-law)
PCMA (G.711 A-law)
G722.1 (Siren7)
G722.2 (AMR-WB)
G729.1 (G729J & G729EV)

COMPLIANCE

UL/CUL
FCC 
IC 
IEC

Class I, Division 2, Groups A, B, C and D
Part 15¹, Class A
ICES-003 CLASS A
CISPR 22: 2008
61000-6-2: 2005

¹ This device complies with Part 15 of the FCC Rules. Operation is subject to the following two conditions:
(1) This device may not cause harmful interference, and (2) this device must accept any interference received, including interference that may cause undesired operation.

ELECTRICAL REQUIREMENTS

Power Requirements

METHOD 1 - Thru LAN: POE 802.3 af (44-57V)
METHOD 2 - External PS:

Switch OR via POE Injector
24VDC @ 1A
1.0A @ 30V

Auxiliary Relay

MECHANICAL SPECIFICATIONS

Hook Switch (Cradle Switch) Life

>1 000 000 Operations

Body Construction

Thermoplastic Resin

Faceplate

Corrosion Protected & Powder Coated

Net Weight

11.8 lbs (5.4 kg)

Shipping Weight

14.0 lbs (6.3 kg)

Shipping Dimensions (L x W x D)

20.0" x 15.0" x 12.0" (508 x 381 x 305 mm)

Hand Set Construction

High Impact Polycarbonate

Mounting

Vertical Wall

Microphone

Noise Reducing Electret

Receiver

Hearing Aid Compatible

Hardware Material

Stainless Steel

Connection Fittings

Up to 4 Drill Guides for Gland Support

ENVIRONMENTAL

Water/Dust Tight Enclosure

Type 4X & IP66

Operating Temperature

-22° to +140°F (-30° to +60°C)

Storage Temperature range

-22° to +140°F (-30° to +60°C)

ORDERING INFORMATION

Warranty: Three years parts and labor

| Order No. | Description |
|-----------|---|
| P5312 | WTT-30-V-H Watertight Telephone/Metal Keypad/Curly Handset Cord |
| P5313 | WTT-40-V-H Watertight Telephone/Metal Keypad/Armored Handset Cord |
| P5314 | WTR-11-V-H Watertight Ringdown Telephone/Curly Handset Cord |
| P5315 | WTR-41-V-H Watertight Ringdown Telephone/Armored Handset Cord |

Options

| | |
|---------|-----------------------------------|
| CC | Conformal Coated Circuit Board |
| NC | Noise Canceling Microphone |
| LCK-WTE | Locking Door |
| VR-WTE | Vandal Resistant Faceplate Screws |

Choice of enclosure colors*

Custom embossed logo or smooth face for label*

* minimum quantity required – consult with sales agent

Distributed by:



GUARDIAN TELECOM, a division of CIRCA ENTERPRISES INC.
Calgary, Alberta, Canada
Telephone: 403 258-3100 Facsimile: 403 253-4967
1-800-363-8010 (North America)
info@guardiantelecom.com | www.guardiantelecom.com