

SCT-V-H SERIES

Hazardous Area Steel Compact VOIP Telephones

SCT-V-H SERIES INDOOR INDUSTRIAL VOIP HAZARDOUS TELEPHONES

- SCT-10-V-H – Telesal Keypad/Volume Control Handset/Heavy Duty Coil Cord
- SCT-30-V-H – Metal Keypad/Volume Control Handset/Heavy Duty Coil Cord
- SCT-40-V-H – Metal Keypad/Volume Control Handset/Armored Cord

FEATURES and BENEFITS

- "Full" duplex voice operation
- PoE 802.3af enabled (Power-over-Ethernet) or alternate power source
- Compatible with SIP RFC 3261 compliant IP-PBX and Cloud based servers
- Auxilliary Relay to control external devices with multiple control modes (Refer to document P007402 – VoIP Setup and Configuration Guide)
- Network web management interface
- Guardian Discovery Utility makes it easy to detect, locate and launch the web based configuration screens
- Web Interface provides full configuration over device. Some key features include
 - Handset Volume and Microphone default level settings
 - Relay activation management.
 - Call timers/
 - Event Management – Real Time Monitoring.
 - Product Updates.
 - Product Automated configuration
- 16 gauge corrosion protected steel enclosure with powder coat finish
- Heavy duty G type industrial volume control handset
- Rust and corrosion resistant stainless steel hardware
- Electret noise reducing microphone
- Electronic ringer for reliability
- Temperature range -22° to +140°F (-30° to +60°C)
- Weather, dust & corrosion resistant for any industrial application
- Magnetic reed hook switch to reduce parts subject to wear
- Modular parts for easy service
- Hearing aid compatible



SC RANGE OF TELEPHONES

Guardians SC RANGE of Steel Compact Telephones are engineered to deliver reliable, high quality communications in moderately harsh environments, where standard telephones are not suitable. Designed for use in industrial applications and ideal for noisy areas. The SC RANGE was originally designed for use in the harsh conditions of potash mines.

SCT-V-H SERIES OF TELEPHONES

Guardian's SCT-V-H SERIES SIP-enabled Hazardous Area Steel Compact VoIP Telephones is designed for use in Class I, Division 2 industrial applications and is ideal for noisy areas. They are ideal for noisy areas and a wide variety of industrial applications.

APPLICATIONS

- | | |
|-----------------------------|--------------------------|
| Refineries | Sewage Plants |
| Power Generation Facilities | Drilling Rigs |
| Pulp and Paper Mills | Hydroelectric Facilities |
| Food Processing Plants | Warehouses |
| Chemical Plants | Mines |
| Construction Sites | Greenhouses |
| Cement Plants | and more ... |

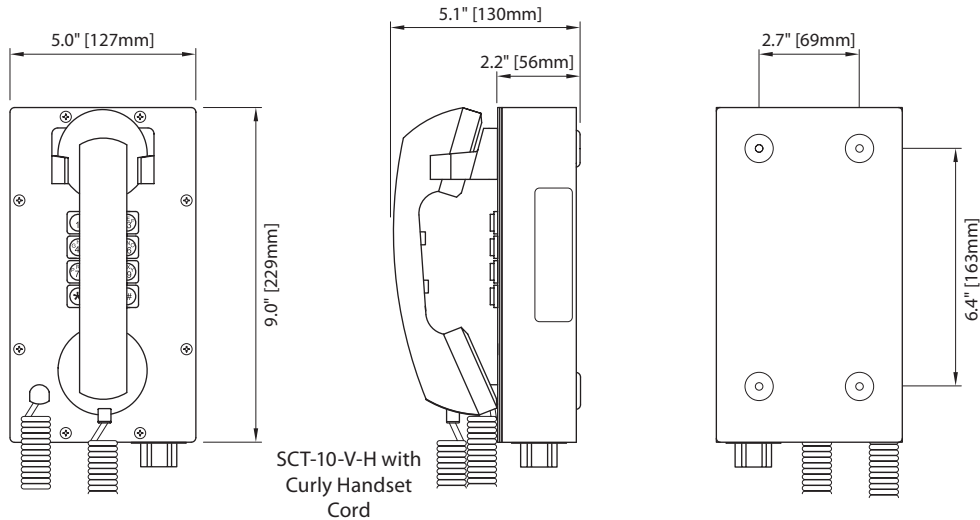


tough. trusted. true.



SAI GLOBAL
ISO 9001:2015

OVERALL DIMENSIONS



SCT-V-H Series Steel Compact IP Telephones

ENGINEERING SPECIFICATIONS

ELECTRICAL PERFORMANCE

Network Rate
Protocol
Codecs Supported:

10/100 Mbps
SIP (RFC 3261 Compliant)
G.711 (Mu-law)
G.711 (A-law)
G.729.1 (G729) and (G729EV)
G.722.1 (SIREN7)
G.722.2 (AMR-WB)

COMPLIANCE

UL/CUL
FCC
IC

Class I, Division 2, Groups A, B, C and D
Part 15[†], Class A
ICES-003 CLASS A
CISPR 22: 2008
61000-6-2: 2005



[†] This device complies with Part 15 of the FCC Rules. Operation is subject to the following two conditions: (1) This device may not cause harmful interference, and (2) this device must accept any interference received, including interference that may cause undesired operation.

ELECTRICAL REQUIREMENTS

Power Requirements
METHOD 1 - Thru LAN: POE 802.3 af (44-57V)
METHOD 2 - External PS:
Auxiliary Relay

Switch OR via POE Injector
24VDC @ 1A
1.0A @ 30V

MECHANICAL SPECIFICATIONS

Hook Switch (Cradle Switch) Life
Body Construction
Faceplate
Net Weight
Shipping Weight
Shipping Dimensions (H x W x D)
Hand Set Construction
Mounting
Wiring Access
Microphone
Receiver
Hardware Material

>1 000 000 Operations
16 Ga CRS Steel
Corrosion Protected & Powder Coated
4.0 lbs (1.81 kg)
6.0 lbs (2.72 kg)
15.0" x 5.0" x 11.5" (381 x 127 x 293 mm)
High Impact Polycarbonate
Vertical Wall
1/2" NPT Conduit Hub
Noise Reducing Electret
Hearing Aid Compatible
Stainless Steel

ENVIRONMENTAL

Weather Proof Enclosure
Temperature
Humidity
Corrosion Resistant

Type 3R
-22° to +140°F (-30° to +60°C)
0 - 95% RH Non-Condensing
Full Gasket Faceplate

ORDERING INFORMATION

Warranty: Three years parts and labor

Order No.	Description
P6084	SCT-10-V-H Teleseal Keypad/Volume Control Handset/Curly Cord
P6089	SCT-30-V-H Metal Keypad/Volume Control Handset/Curly Cord
P6090	SCT-40-V-H Metal Keypad/Volume Control Handset/Armored Cord
Options	
36AVC	36" (.9m) Armored Handset Cord for SCT-40-V-H
72AVC	72" (1.8m) Armored Handset Cord for SCT-40-V-H
20VCV	20' (6.1m) Curly Cord, Volume Control Handset for SCT-10-V-H & SCT-30-V-H
CC	Conformal Coated Circuit Board
NC	Noise Canceling Microphone
RC-SCT	Retainer Clips – must be ordered with SCT-10-V-H & SCT-30-V-H (standard on SCT-40-V-H)
BP - SCT/SCR	Back Plate for SCT-V-H/SCR-V-H telephones

Distributed by:



GUARDIAN TELECOM, a division of CIRCA ENTERPRISES INC.
Calgary, Alberta, Canada
Telephone: 403 258-3100 Facsimile: 403 253-4967
1-800-363-8010 (North America)
info@guardiantelecom.com | www.guardiantelecom.com