

180° Panoramic H.265⁺ Mini Dome Network Camera



IP67

IK10

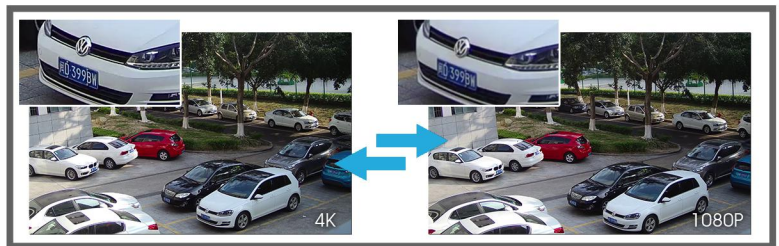
DATASHEET

KEY FEATURES

- ▶ **Smart Stream** (Bandwidth, storage and bit rate are saved with Smart Stream On, eg, H.265 saves 70%~80% bandwidth that of H.264.)
- ▶ **120dB Super WDR** (Excellent performance even when the ratio of the luminosity of brightest and darkest is up to 120dB.)
- ▶ **Advanced Functions** (Boasting to support various advanced functions such as HLC, Defog, ROI.)
- ▶ **256G** (Supporting ultra-large external microSD/SDHC/SDXC card storage up to 256G.)
- ▶ **Integrated Junction Box** (Ensuring the hassle-free installation and reliable operation with neat cable management.)
- ▶ **Video Content Analysis** (With 10 detection modes, VCA greatly enhances the performance bringing comprehensive surveillance functions.)

4K Video Viewing Experience

Milesight 4K H.265 Network Camera delivers up to 4K resolution (3840*2160, effectively four times that of Full HD) at 15 frames per second (fps), providing users with ultra-high-definition video viewing experience.

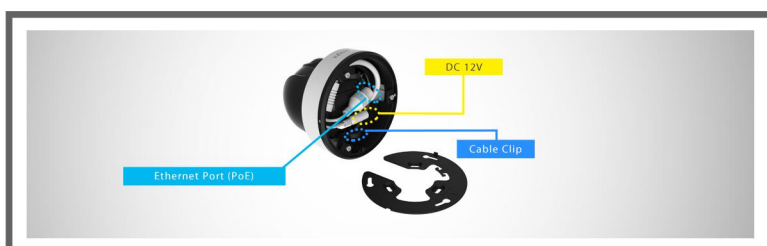


180° Panoramic View

The camera is perfect for whole picture viewing experience. It catches 180° horizontal coverage and 95° vertical coverage, achieving 180° panoramic viewing with only single sensor, which is a revolutionary creation in the dome model.

Advanced Built-in Microphone

With the built-in microphone which adopts the advanced codec, the camera is able to provide clearer voice. It applies PTFE Membrane to safeguard the built-in microphone, ensuring IP67-rated weather proof capability for reliable performance.



Integrated Junction Box

Coming with the integrated junction box, Milesight Network Camera not only brings a simplified installation with better aesthetics and professional look of the video surveillance system, but also provides higher operation stability.

180° Panoramic H.265⁺ Mini Dome Network Camera

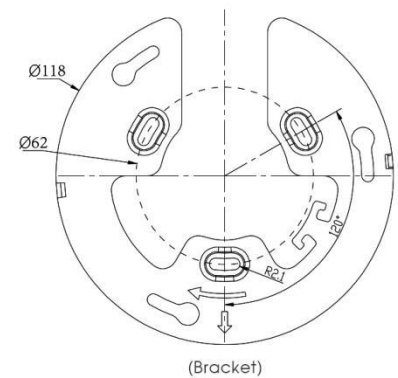
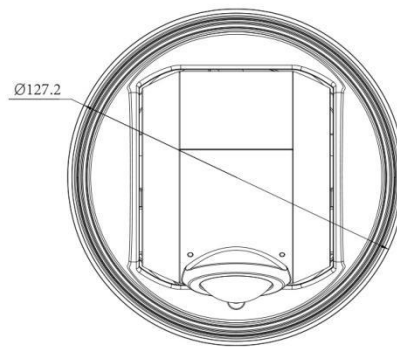
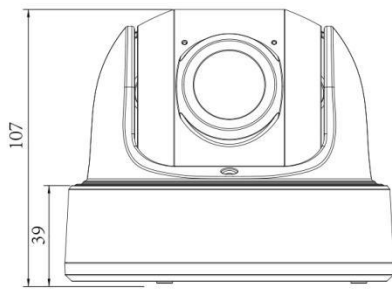
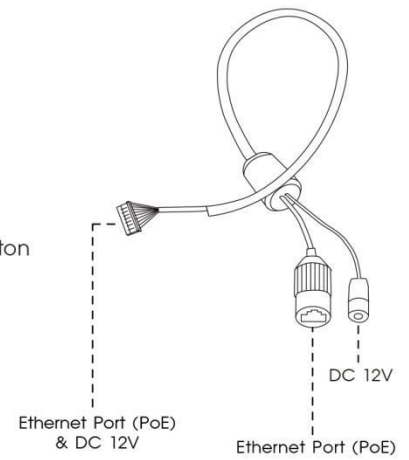
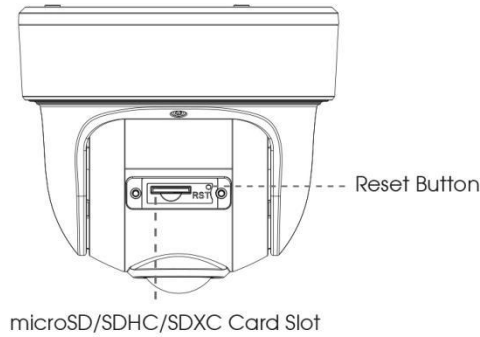
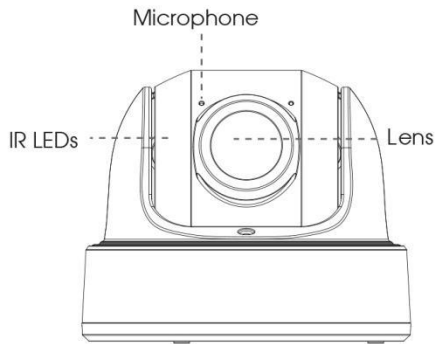


	Model	MS-C5376-PB (5MP)	MS-C8176-PB (4K)
Camera	Image Sensor	1/2.8" Progressive Scan CMOS	
	Min. Illumination	Color: 0.005Lux@F1.2 Color: 0.008Lux@F2.0 B/W: 0Lux with IR on	Color: 0.01Lux@F1.2 Color: 0.012Lux@F2.0 B/W: 0Lux with IR on
	WDR	120dB Super WDR	
	Lens	1.68mm@F2.0	
	Mount	M12	
	Field of View	H180°/V95°	H180°/V86°
	Shutter Time	1/100000s~1s	
	IR Distance	Up to 15m	
	Day&Night	ICR Filter Auto Switch	
	S/N	>55dB	
Video	Max. Image Resolution	2592x1944 (Original)	3840x2160
	Primary Stream	30fps@(2592x1944)(Original), 30fps@(2560x1440, 1920x1080, 1280x720)	15fps@(3840x2160, 3440x1936), 25fps@(3200x1800), 30fps@(2880x1620, 2560x1440, 1920x1080, 1280x720)
	Secondary Stream	30fps(640x480, 640x360, 320x240)	30fps@(704x576, 640x480, 640x360, 320x240)
	Tertiary Stream	30fps@(1920x1080, 1280x720, 704x576, 640x480, 640x360, 320x240, 320x192, 320x180)	
	Video Compression	H.265 ⁺ /H.265(HEVC)/H.264 ⁺ /H.264/MJPEG	
	Video Bit Rate	16Kbps~16Mbps(CBR/VBR Adjustable)	
	Image Setting	Brightness/Contrast/Saturation/Sharpness	
Network	Ethernet	1*RJ45 10M/100M Ethernet Port	
	Network Storage	NAS(Support NFS, SMB/CIFS)	
	Protocol	IPv4/IPv6, ARP, TCP, UDP, RTCP, RTP, RTSP, RTMP, HTTP, HTTPS, DNS, DDNS, DHCP, FTP, NTP, SMTP, SNMP, UPnP, Bonjour, SIP, PPPoE, VLAN, 802.1x, QoS, IGMP, ICMP, SSL	
Audio	Audio Compression	G.711/AAC/G.722/G.726	
	Audio Interface	Built-in Microphone	
System	Storage	Support microSD/SDHC/SDXC Card Local Storage, up to 256G	
	Advanced Function	Heat Map, Privacy Masking, BLC, HLC, 2D DNR, 3D DNR, ROI, Defog, AWB, EIS, IP Address Filtering, AGC, Anti-flicker, Corridor Mode, Deblur, Watermark	
	SIP/VoIP Support	Yes, Voice & Video-over-IP	
	Event Trigger	Motion Detection, Network Disconnection, Audio Alarm, etc.	
	Event Action	FTP Upload, SMTP Upload, SD Card Record, SIP Phone, HTTP Notification, etc.	
	Video Analysis	Region Entrance, Region Exiting, Advanced Motion Detection, Tamper Detection, Line Crossing, Loitering, Human Detection, People Counting, Object Left, Object Removed	
System Compatibility	ONVIF Profile G & Q & S & T		
General	Working Temperature	-40°C~60°C	
	Working Humidity	0~90%(Non-condensing)	
	Power Supply	PoE (802.3af)/ DC 12V ± 10%	
	Power Consumption	5W MAX 8.5W MAX (With IR on)	5.5W MAX 9W MAX (With IR on)
	Weather Proof	Up to IP67-rated for Weather-resistant Performance	
	Housing	Vandal-proof IK10-rated Metal Housing	
	Weight	853g	
	Dimensions	Φ127mmX107mm	
	Warranty	3/5 Years	

180° Panoramic H.265+ Mini Dome Network Camera



Structure Diagrams



Units: mm

Accessories Support

A01 Pole Mount

Weight: 720g
Dimensions: 170*51.5*152.6mm



A02 Internal Corner Bracket

Weight: 540g
Dimensions: 170*23.2*205.3mm



A03 External Corner Bracket

Weight: 900g
Dimensions: 170*152.6*76.3mm



A71 Wall Mount

Weight: 530g
Dimensions: 162*124*78 mm



Milesight Technology Co.,Ltd. | www.milesight.com

Contact Us: sales@milesight.com support@milesight.com

Add: 220 NE 51st Street, Oakland Park, Florida 33334, USA
Tel: +1-800-561-0485

Add: 925, Anyang SK V1 Center, LS-ro 116beon-gil, Dongan-gu, Anyang-si, Korea
Tel: +82-31-990-7772

Add: No.23 Wanghai Road, 2nd Software Park, Xiamen, China
Tel: +86-592-5922772

