

Milesight

AI 180° Panoramic Mini Bullet Network Camera

NDA A ✓

IP67

IK10



DATASHEET



KEY FEATURES

- ▶ NDA A Compliance (The fully NDA A-compliant products are well suited for government, defense and a range of projects subject to the NDA A.)
- ▶ 120dB Super WDR (Excellent performance even when the ratio of the luminosity of brightest and darkest is up to 120dB.)
- ▶ Advanced Functions (Boasting to support various advanced functions such as HLC, ROI.)
- ▶ 256G (Supporting ultra-large external microSD/SDHC/SDXC card storage up to 256G.)
- ▶ Adjustable 3-Axis Bracket (Providing a robust mounting platform for angle adjustments on a 3-axis plane.)
- ▶ Built-in Microphone (Using advanced codecs to provide clearer voice and robust performance.)
- ▶ Smart Stream (Bandwidth, storage and bit rate are saved with Smart Stream On, e.g. H.265⁺ saves 70%~80% bandwidth that of H.264.)

AI Video Analytics

- 8 intelligent VCA modes powered by AI engine, which can intelligently filter objects to focus on human and vehicle detection.
- People Counting technology provides high accuracy and real-time data based on AI algorithm with statistic reports.
- Face Detection function detects human faces in the monitoring scene and captures the snapshots, which greatly enhances the monitoring efficiency.



180° Panoramic View

The camera is perfect for whole picture viewing experience. It catches 180° horizontal coverage and 95° vertical coverage, achieving 180° panoramic viewing with only single sensor, which is a revolutionary creation in the bullet model.



4K Video Viewing Experience

The camera performs well in catching detailed image with 4K HD resolution regardless of the moving speed.



Integrated Junction Box

The well-designed Integrated Junction Box ensures efficient and simple installation. It enlarges the space to make cable connection neat and easy. With the help of IP67-rated weather-proof design and Point-contact Power Supply, the Integrated Junction Box is able to offer stable operation and supreme user-experience.



AI 180° Panoramic Mini Bullet Network Camera



	Model	MS-C5365-PE (5MP)	MS-C8165-PE (4K)
Camera	Image Sensor	1/2.8" Progressive Scan CMOS	
	Min. Illumination	Color: 0.008Lux@F2.0 B/W: 0Lux with IR on	Color: 0.012Lux@F2.0 B/W: 0Lux with IR on
	WDR	120dB Super WDR	
	Lens	1.68mm@F2.0	
	Mount	M12	
	Field of View	H180°/V95°	H180°/V86°
	Shutter Time	1/100000s~1s	
	IR Distance	Up to 15m	
	Day/Night Mode	Day/Night/Auto/Customize/Schedule	
	S/N	>55dB	
Video	Max. Image Resolution	2592x1944 (Original)	3840x2160
	Primary Stream	60Hz:30fps@(2560x1440, 1920x1080, 1280x720) 50Hz:25fps@(2560x1440, 1920x1080, 1280x720)	60Hz/50Hz: 25fps@(3840x2160, 3440x1936, 3200x1800, 2880x1624, 2560x1440, 1920x1080, 1280x720)
	Secondary Stream	60Hz: 30fps@(704x576, 640x480, 640x360, 352x288, 320x240) 50Hz: 25fps@(704x576, 640x480, 640x360, 352x288, 320x240)	60Hz/50Hz:25fps@(704x576, 640x480, 640x360)
	Tertiary Stream	60Hz: 30fps@(1920x1080, 1280x720, 704x576, 640x480, 640x360, 352x288, 320x240) 50Hz: 25fps@(1920x1080, 1280x720, 704x576, 640x480, 640x360, 352x288, 320x240)	60Hz/50Hz: 25fps@(1280x720, 704x576, 640x480, 640x360)
	Video Compression	H.265+/H.265(HEVC)/H.264+/H.264/MJPEG	
	Video Bit Rate	16Kbps~16Mbps(CBR/VBR Adjustable)	
	Privacy Masking	Up to 8 Areas (Mask Area and Mosaic Area are optional)	
	ROI	Up to 8 areas	
	Image Setting	Brightness/Contrast/Saturation/Sharpness	
	Interface	Ethernet	1*RJ45 10M/100M Ethernet Port
Audio Interface		Built-in Microphone	
Network	Network Storage	NAS(Support NFS, SMB/CIFS), ANR	
	Protocol	IPv4/IPv6, ARP, TCP, UDP, RTCP, RTP, RTSP, RTMP, HTTP, HTTPS, DNS, DDNS, DHCP, FTP, NTP, SMTP, SNMP, UPnP, Bonjour, SIP, PPPoE, VLAN, 802.1x, QoS, IGMP, ICMP, SSL	
Audio	Audio Compression	G.711/AAC/G.722/G.726	
	Audio Sampling Rate	8/16/32/44.1/48KHz	
	Audio Bit Rate	16~256kbps	
	Two-way Audio	N/A	

AI 180° Panoramic Mini Bullet Network Camera

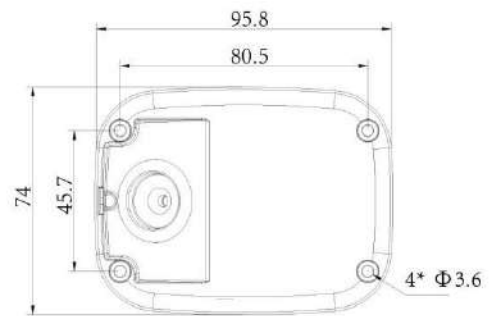
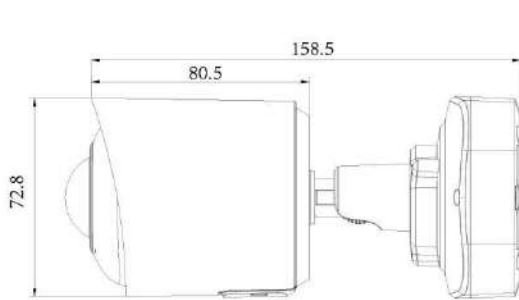


Intelligent Analytics	Video Analysis	Region Entrance, Region Exiting, Advanced Motion Detection, Tamper Detection, Line Crossing, Loitering, Object Left, Object Removed
	Face Detection&Face Attribute Recognition	Detect and capture faces, get real-time snapshots; The attributes include Age, Gender, Glasses, Mask and Cap.
	People Counting& Report	Count the number of people entering or exiting, up to 4 detection areas for regional people counting
System	Storage	Support microSD/SDHC/SDXC Card Local Storage, up to 256G
	Advanced Function	Heat Map, BLC, HLC, 2D DNR, 3D DNR, Defog, AWB, IP Address Filtering, AGC, Anti-flicker, Corridor Mode, Deblur, Watermark
	SIP/VoIP Support	Yes, Voice & Video-over-IP
	Event Trigger	Motion Detection, Network Disconnection, Audio Alarm, etc.
	Event Action	FTP Upload, SMTP Upload, SD Card Record, SIP Phone, HTTP Notification, etc.
	System Compatibility	ONVIF Profile G & Q & S & T, API
General	Working Temperature	-40°C~60°C
	Working Humidity	0~95%(Non-condensing)
	Power Supply	PoE (802.3af) / DC 12V ± 10%
	Power Consumption	7W MAX 9W MAX (With IR on)
	Weather Proof	Up to IP67-rated for Weather-resistant Performance
	Housing	Vandal-proof IK10-rated Metal Housing
	Weight	630g
	Dimensions	95.8mmX74mmX158.5mm
	Warranty	3/5 Years

AI 180° Panoramic Mini Bullet Network Camera



Structure Diagrams



Units: mm

Accessories Support

A01 Pole Mount

Weight: 720g
Dimensions: 170*51.5*152.6mm



A03 External Corner Bracket

Weight: 900g
Dimensions: 170*152.5*76.3mm



Milesight | www.milesight.com

Contact Us: sales@milesight.com support@milesight.com

Add: 220 NE 51st Street, Oakland Park, Florida 33334, USA
Tel: +1-800-561-0485

Add: 925, Anyang SK V1 Center, LS-ro 116beon-gil, Dongan-gu, Anvang-si, Korea
Tel: +82-31-990-7732

Add: Building C09, Software Park Phase III, Xiamen 361024, Fujian, China
Tel: +86-592-5922772

